



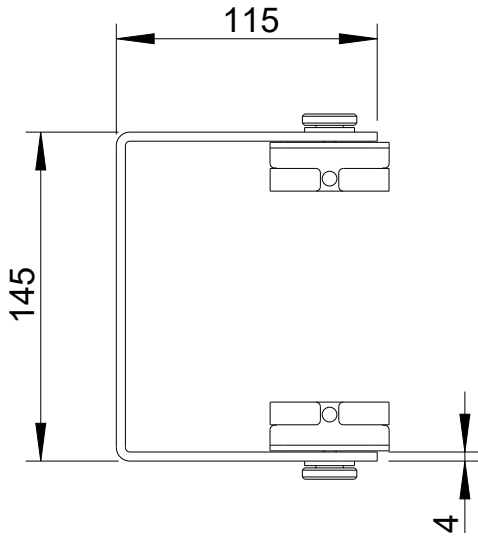
Fohhn
colors of sound

2D-drawings

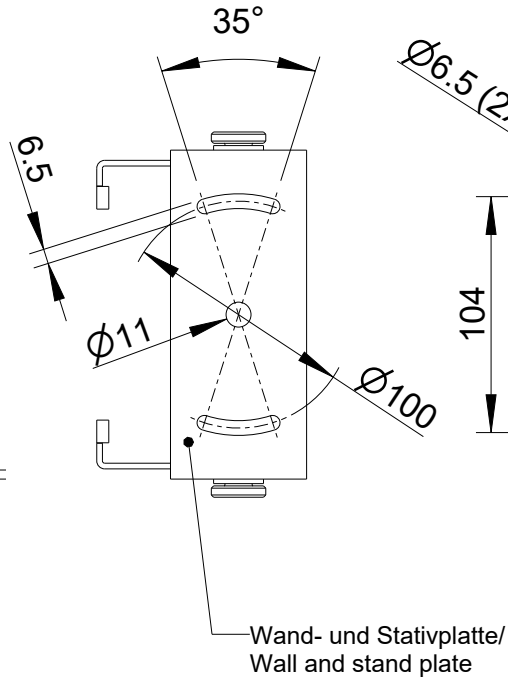
QLXP-10

Querhaltebügel für Wand- und Stativmontage/
Horizontal bracket for wall and stand mounting

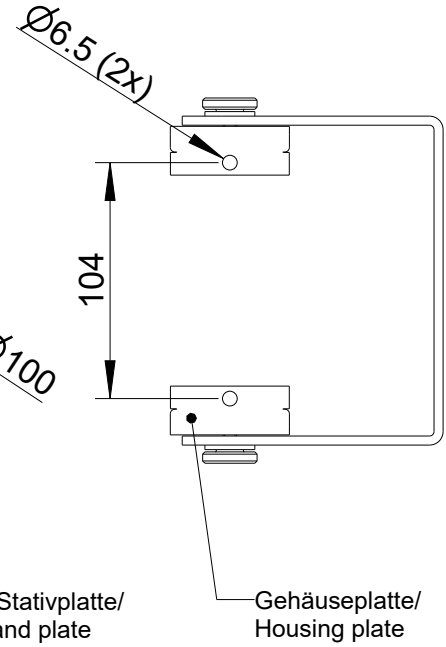
Vorderansicht/
Front view



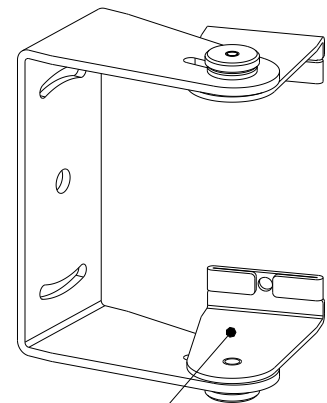
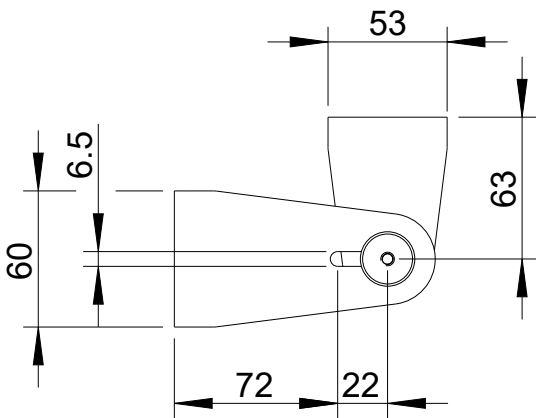
Seitenansicht/
Side view



Rückansicht/
Rear view



Draufsicht/
Top view



Drehung +/-90°/
Rotation +/-90°

All data and dimensions are subject to change

QLXP-10
8475-xxxxx

Fohhn Audio AG
Großer Forst 15
72622 Nürtingen
Germany

Phone +49 7022 93323-0
Fax +49 7022 93324-0
www.fohhn.com
contact@fohhn.audio



Fohhn Audio AG reserves the right to make changes to its product design and technology without notice. All information is subject to change.
© 2026, Fohhn Audio AG, Germany.

Document version: 2026-01-29 13:28:20