

Easy Port-Series

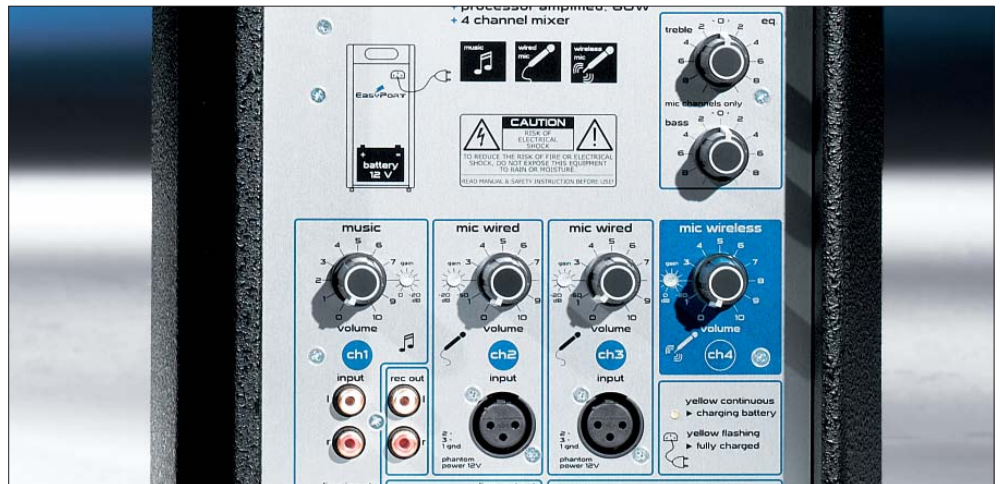
Wireless Speaker Systems.



The Easy Port FP2 is the most powerful wireless speaker system manufactured by Fohhn. An enormous range of application options and high output twinned with compact dimensions and low weight make this system one of a kind. Operation is simple and unambiguous, the controls are user friendly.



The two installation slots on the top of the Easy Port FP2 system can hold a maximum of 4 Fohhn EP-64 RM radio receiver modules or 2 conventional 9.5" radio receivers (max. 212x160 mm WxD).



Description

The new generation of wireless speaker systems. Battery-operated active speaker system, processor-controlled amplifier, 60 W, 4-channel mixer, 2-band tone control. maximum dimensions for 9.5"-wireless receivers are 212 x 240 mm (integration of 1 receiver) and 212 x 185 mm (integration of second receiver).

Applications

Ideal for both indoor and outdoor applications. Whether used for the Mayor's election, speeches in the market place, sportsday presentations, the Easy Port FP2 can easily cater for up to 350 people.

Operation

With its integral high-power battery, processor controlled amplifier, wireless microphone and 4-channel-mixer the FP2 CD needs no cables to be operated and no power supply. You can adapt 2 microphones to an auxiliary device quickly and easily via the user friendly 3-channel mixer. The 2-band sound control configures the system perfectly to achieve the required sound. Ready to start your presentation in 2 minutes without requiring previous technical know-how.

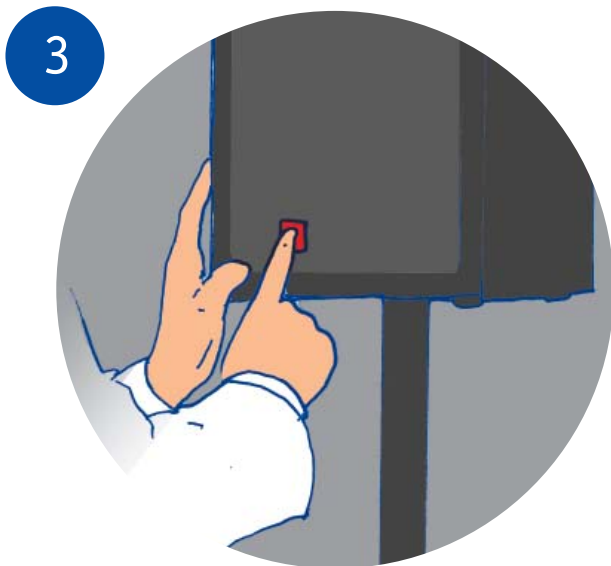
Options

- Up to 2 optional radio microphone systems Fohhn EP-64 Set or conventional 9.5" radio receivers (max. 212 x 160mm WxD) can be connected to any FP2.
- Connection of passive additional loudspeaker Easy Port FP2 slave for extended sound production.

Technical Specifications

Power output	60W
Components	8" / tweeter with short horn
Efficiency 1W / 1m	100dB
SPL peak	125dB
Frequency response (-6dB)	65Hz - 20kHz
Dispersion H x V	80° x 80°
Mixer inputs	2x wireless mic 10kOhm 2x wired mic, XLR, 2kOhm 12V phantom power 2x Line, cinch, mono sum 1x Line, XLR symmetric
Outputs	1x Line, XLR symmetric 2x Line, cinch, mono sum

Tone control	Bass, Treble (shelving)
Processor functions	Limiter with auto-subsonic Automatic speech filter
Dimensions (WxHxD)	24x51x27cm
Weight	12kg
Default color	black
Power supply	230V AC
Battery	12V / 7.2Ah
Operating time approx.	8 - 20 hours



Easy set-up and simple operation.

Easy Port speaker systems are quick and easy to set up. 2 minutes and you are ready to start making your speech. Simply set up the Easy Port, switch on and speak into the microphone. The clearly laid out controls on the back of the unit are extremely user friendly and no special previous technical know-how is required to operate the system.

FP2 Pro – Accessories



FP2 slave

passive additional loudspeaker for extended sound production



Rain cover

Sound transparent rain covers are available for all Easy Port models. Offer maximum protection against moisture and dust.



Loudspeaker stand economy

High-quality stand for placing your speakers securely in the perfect position.



Padded carrying bag

Ideal protection and simple transportation. Made from hard-wearing material, attractive appearance. Integral side pouch for microphones and cables. With 2 carrying handles and a shoulder strap.



SHP2

SHP2 Stand bracket for FP2 with stand adapter, unscrewable



Carrying bag for 2 stands

Convenient transportation of speaker and microphone stands



Music Tray

Tray for portable music-playing equipment + microphone, easy to mount to speaker stands, aluminium



WHP1

WHP1 Wall bracket speaker removable

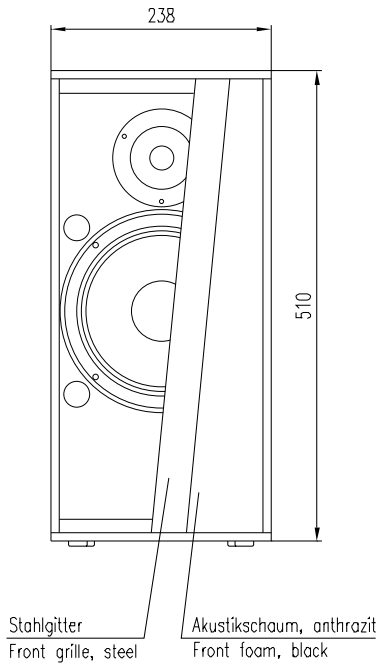


WHP2

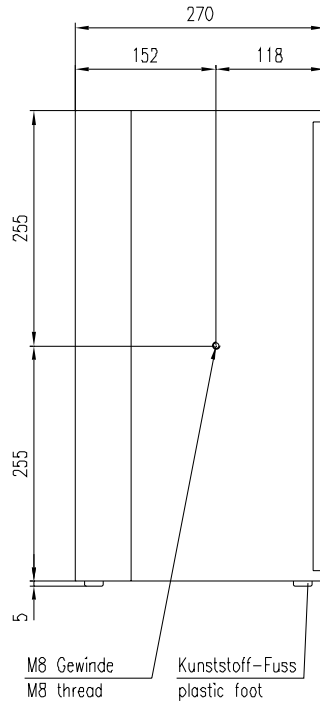
WHP2 Wall bracket for FP2, pivots and tilts.

FP2 Pro – Dimensions

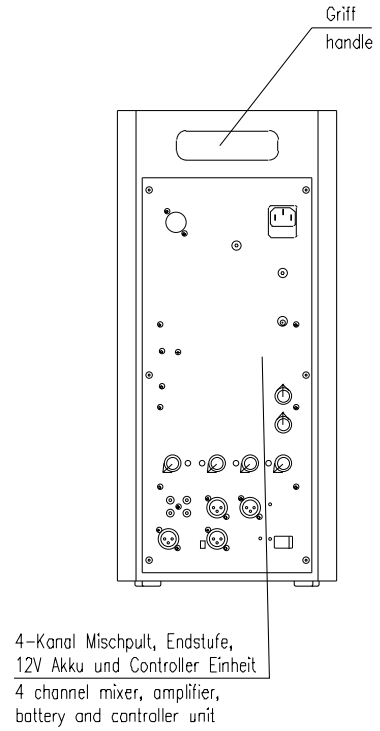
Front view



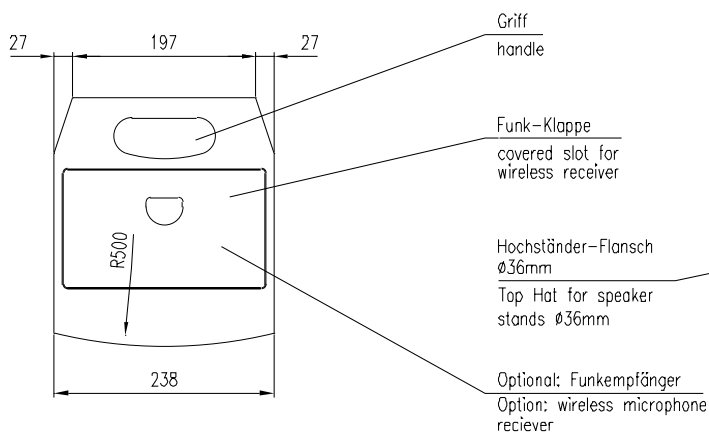
Side view



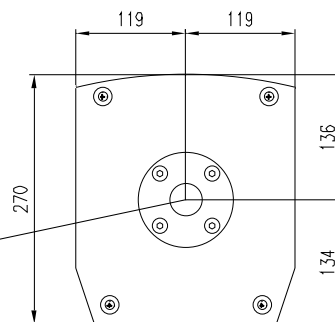
Rear view



Top View

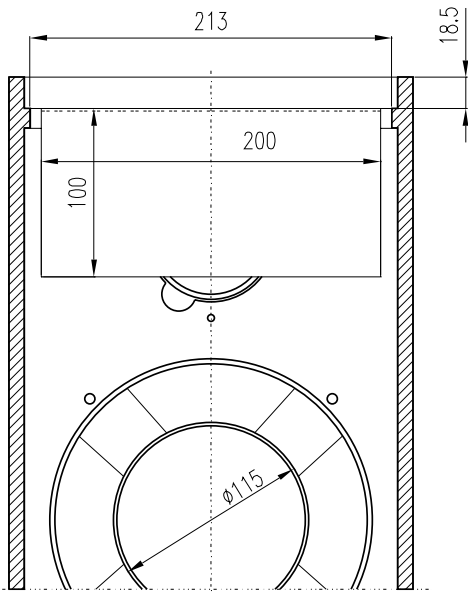


Bottom view

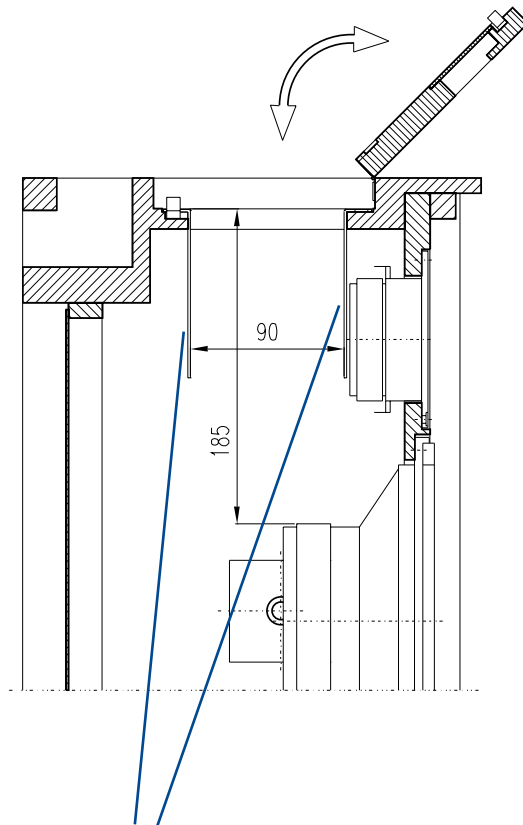


FP2 Pro – Installation slot for a wireless receiver

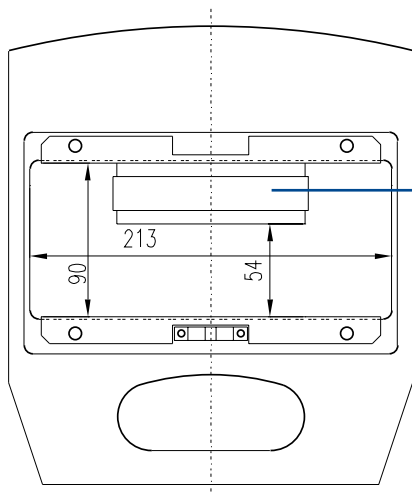
Front view



Side view



Top View



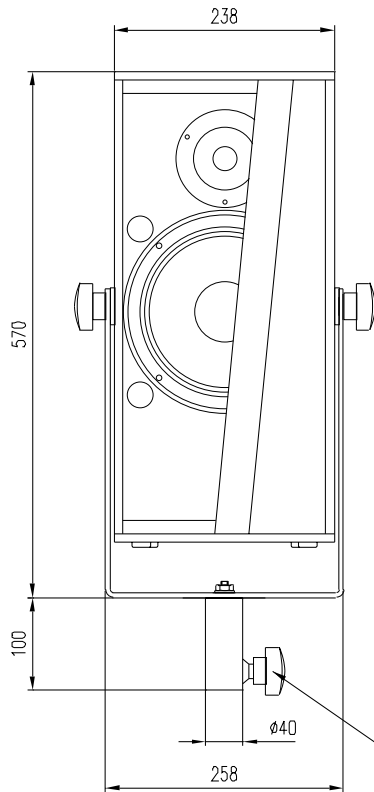
Mounting bracket to which the radio receivers are attached (adhered).

Please include the speaker magnet in your plans. There are radio receivers where the connecting jacks are rather inconveniently fitted centrally.

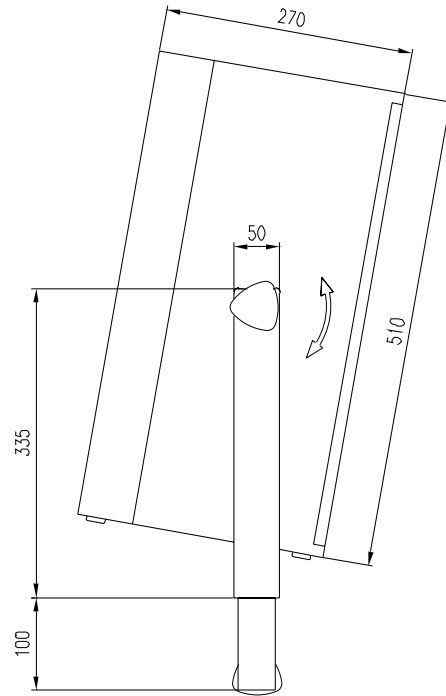
The installation slot is limited and should be checked in advance. When planning, take into account the dimensions necessary for the jack, XLR and DC connectors.

FP2 Pro – Set up with stand bracket SHP2

Front view

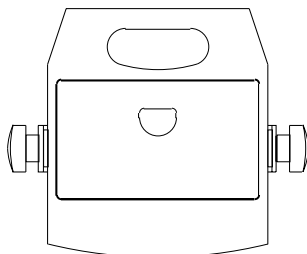


Side view

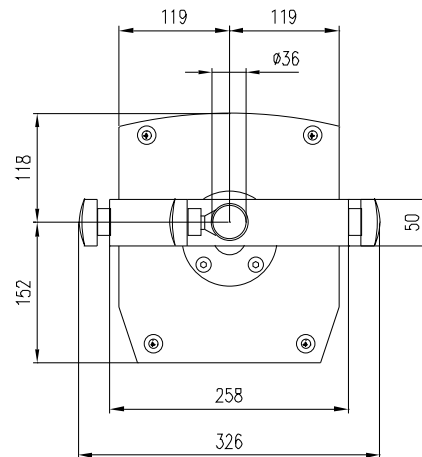


SHP2 mit Stativadapter ø36mm
Bestellnr. 851 021
SHP2 with standadapter ø36mm
Order number 851 021

Top view

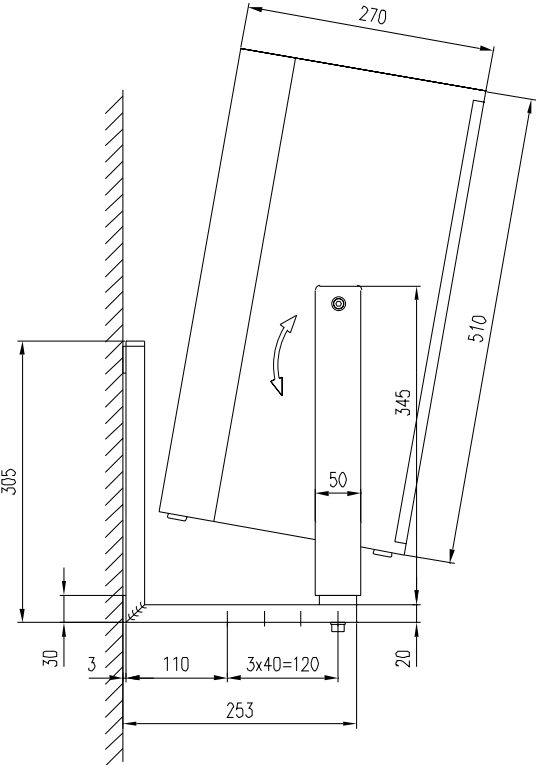


Bottom view

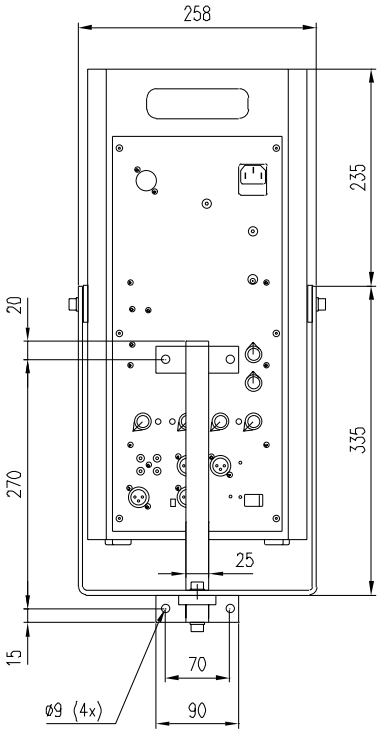


FP2 Pro – Installation with wall bracket WHP2

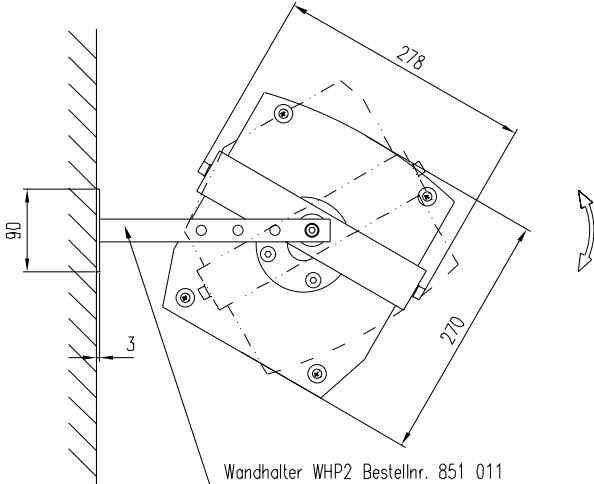
Front view



Rear view



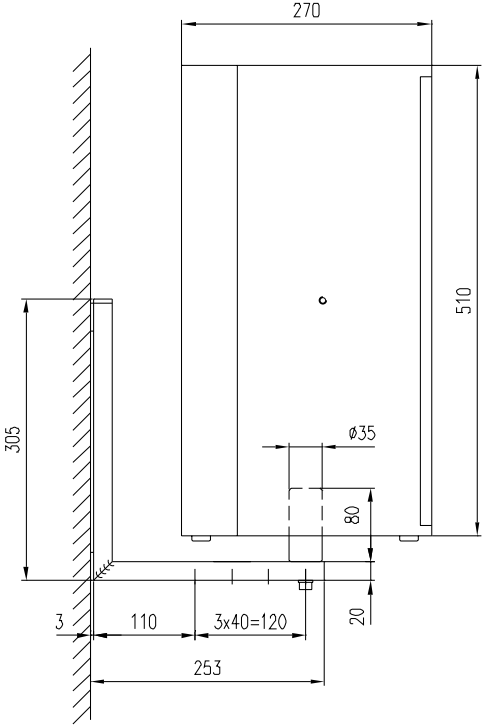
Bottom view



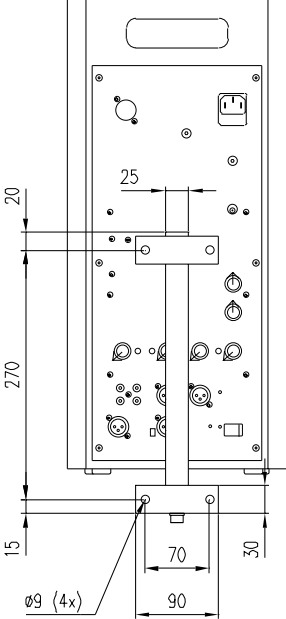
Wandhalter WHP2 Bestellnr. 851 011
 Wall bracket WHP2 order number 851 011

FP2 Pro – Installation with wall bracket WHP1

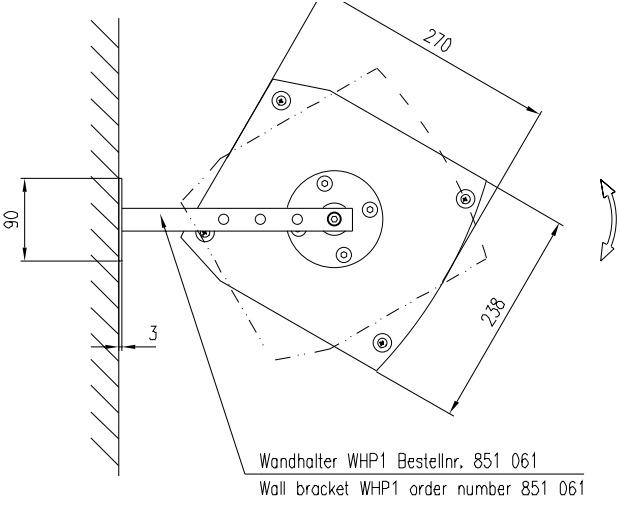
Side view



Rear view



Bottom view



FP2 Pro – Options

Radio microphone systems Fohhn® Fohhn® EP-64 Set

Specially designed for use with the Easy Port and ADESSO systems they can only be used in combination with Fohhn speaker systems.

The user friendliness, versatility, compact dimensions and low weight of these highquality UHF systems makes them stand out from the crowd.



Handheld transmitters EP-64 H

The radio microphones from the EP series are elegant, robust and produce an excellent soundquality. The microphone housing is manufactured from metal. The EP-64 H has 64 frequency settings in a range between 790–814 MHz (channel 61-63). A user friendly display shows the active radio channel and the battery status. You can also select the menu settings and activate a mode that prevents the microphone from being switched off accidentally as a result of incorrect operation (lock mode). The aerial is integrated in the housing.



Pocket transmitter EP-64 P

The EP-64 P pocket transmitter has 64 frequency settings in a range between 790–814 MHz (channel 61-63). A user friendly display that shows the active radio channel and the battery status. You can also select the menu settings and activate a mode that prevents the microphone from being switched off accidentally as a result of incorrect operation (lock mode). The aerial is fixed to the housing. The robust metal sleeve allows for easy handling and covers the controls. The pocket transmitters are equipped with a socket for connecting an optional headset or clip-on microphone.



True diversity receiver EP-64 R

The receiver EP-64 R is developed for permanent installation in the Easy Port and ADESSO systems. It has 64 frequency settings in a range between 790–814 MHz (channel 61-63). The channels are quick and easy to change from the front. The two receiver aerials (true diversity) are integrated in the speakerhousing and are not visible from the outside. The integral receiver switches on automatically when the speaker system is switched on.



Clip-on microphone AS-4

For connecting to pocket transmitters EP-64 P.



Headset microphone HS-4

For connecting to pocket transmitters EP-64 P.



2 receivers Fohhn EP-64 R can be installed in Fohhn Easy Port FP2.



The EP-64 enables you to work with up to 5 separate radio microphone systems simultaneously.

FP2 Pro – Options

Passive additional loudspeaker: Fohhn® Easy Port FP2 Slave

It allows to generate sound in other areas of the venue and for larger audiences. It can be attached to a stand and placed in the correct position to disperse a clear sound to the whole audience. The speaker is connected to an appropriately configured FP2 Pro via a speakon cable.



Description

Passive additional loudspeaker FP2 slave allows to generate sound in other areas of the venue and for larger audiences. It can be attached to a stand and placed in the correct position to disperse a clear sound to the whole audience. The speaker is connected to an appropriately configured FP2 or ADESSO via a speakon cable. For sound production in extra areas, side rooms, etc.

Accessoires

Rain cover, Transport bag; Loudspeaker stand with accessoires (SHP2 Stand bracket, Music Tray, Transport bag); WHP2 Wall bracket, pivots and tilts

Technical Specifications

Power output	120W
Components	8" / tweeter with short horn
Efficiency 1W / 1m	100dB
SPL peak	125dB
Frequency response (-6dB)	65Hz - 20kHz
Dispersion H x V	80° x 80°
Dimensions (WxHxD)	24 x 51 x 27cm
Weight	9kg
Default color	black

SOUNDS PERFECT. IS PERFECT.

Fohhn audio systems. The ultimate all-round audio experience.



■ German quality
■ engineered and made
■ by Fohhn®

Fohhn Audio AG

Hohes Gestade 3-5
D-72622 Nürtingen
Germany

Tel. +49 7022 93323-0

Fax +49 7022 93324-0

www.fohhn.com

info@fohhn.com