

Easy Port-Series

Wireless Speaker Systems.



FP2 slave

Generate sound in other areas of the venue and for larger audiences.

Easy Port FP2 slave is a passive additional loudspeaker that can be connected to an existing active speaker systems Easy Port FP2 Pro, FP2 CD and ADESSO lectern with active electronics.



Description

Passive additional loudspeaker FP2 slave allows to generate sound in other areas of the venue and for larger audiences. It can be attached to a stand and placed in the correct position to disperse a clear sound to the whole audience. The speaker is connected to an appropriately configured FP2 or ADESSO via a speakon cable. For sound production in extra areas, side rooms, etc.

Accessoires

Rain cover, Transport bag; Loudspeaker stand with accessoires (SHP2 Stand bracket, Music Tray, Transport bag); WHP2 Wall bracket, pivots and tilts

Technical Specifications

Power output	120W
Components	8" / tweeter with short horn
Efficiency 1W / 1m	100dB
SPL peak	125dB
Frequency response (-6dB)	65Hz - 20kHz
Dispersion H x V	80° x 80°
Dimensions (WxHxD)	24 x 51 x 27cm
Weight	9kg
Default color	black



Loudspeaker stand economy

High-quality stand for placing your speakers securely in the perfect position.



Rain cover

Sound transparent rain covers are available for all Easy Port models. Offer maximum protection against moisture and dust.



Carrying bag for 2 stands

Convenient transportation of speaker and microphone stands



Padded carrying bag

Ideal protection and simple transportation. Made from hard-wearing material, attractive appearance. Integral side pouch for microphones and cables. With 2 carrying handles and a shoulder strap.



WHP1

WHP1 Wall bracket speaker removable



SHP2

SHP2 Stand bracket for FP2 with stand adapter, unscrewable

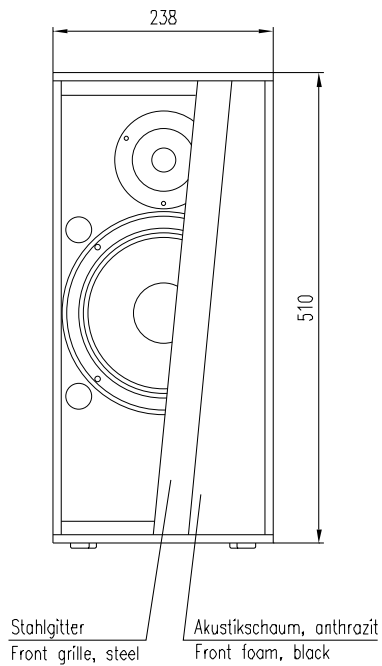


WHP2

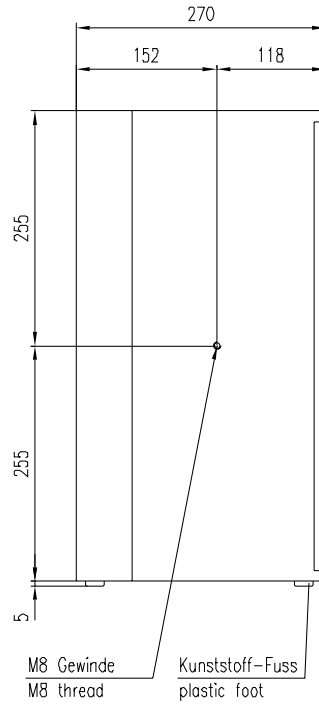
WHP2 Wall bracket for FP2, pivots and tilts.

FP2 slave – Dimensions

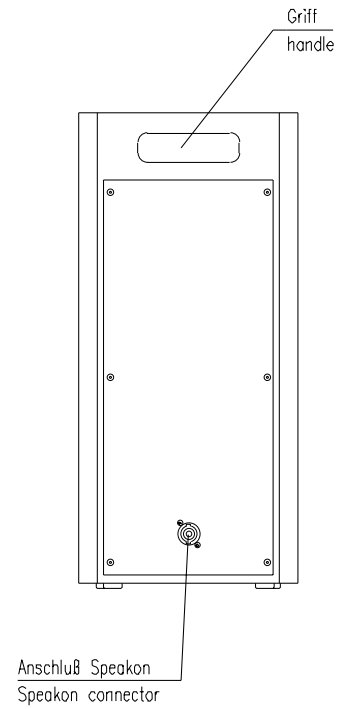
Front view



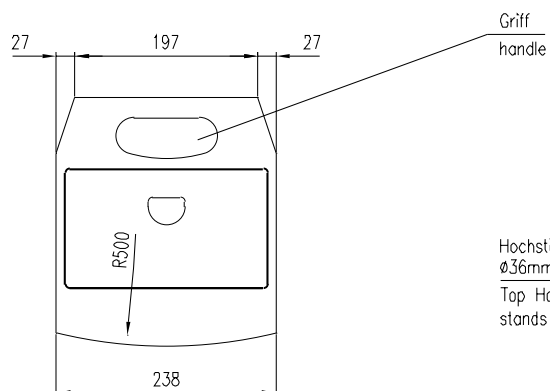
Side view



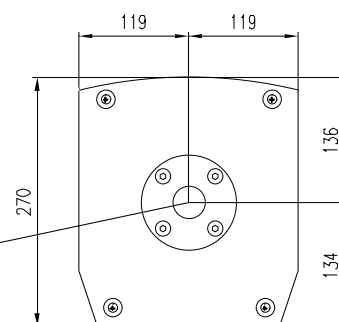
Rear view



Top View

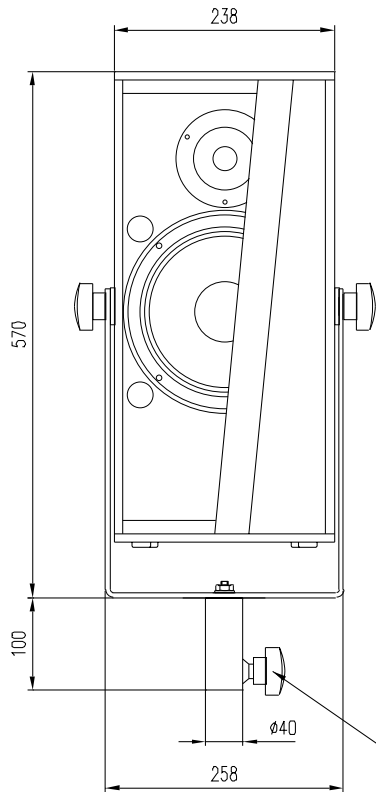


Bottom view

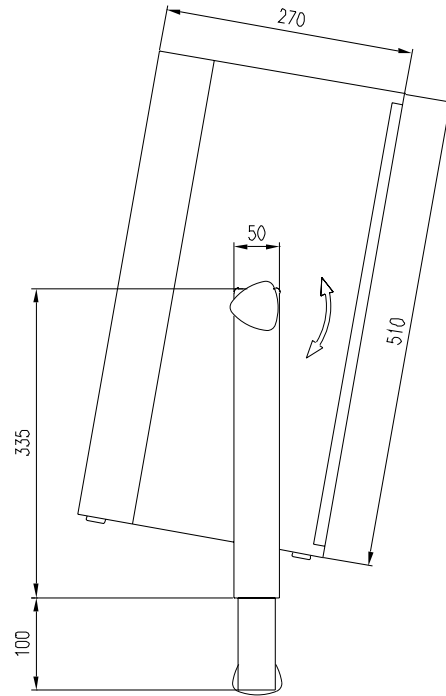


FP2 slave – with stand bracket WHP2

Front view

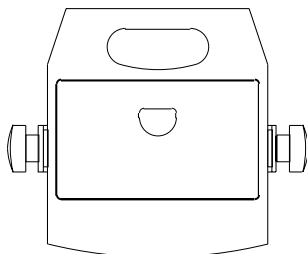


Side view

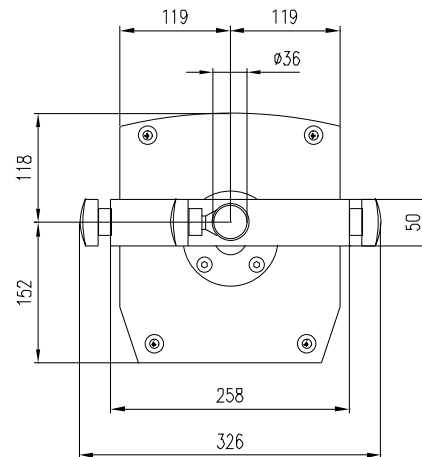


SHP2 mit Stativadapter ø36mm
Bestellnr. 851 021
SHP2 with standadapter ø36mm
Order number 851 021

Top view

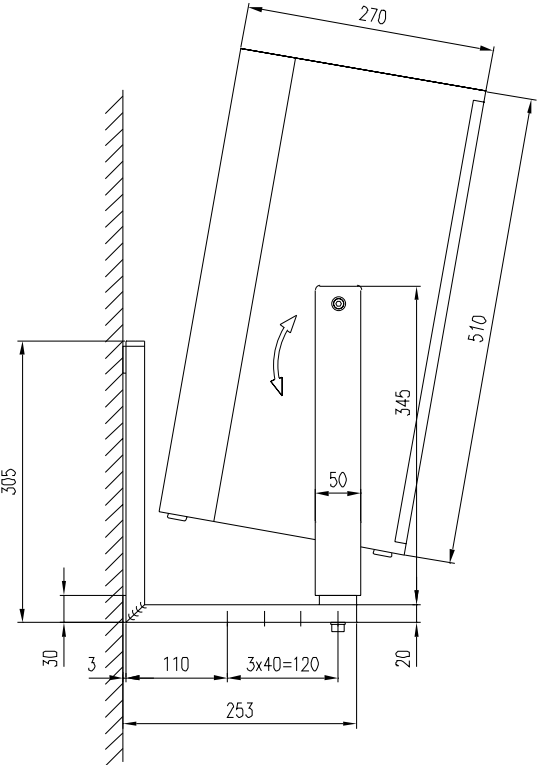


Bottom view

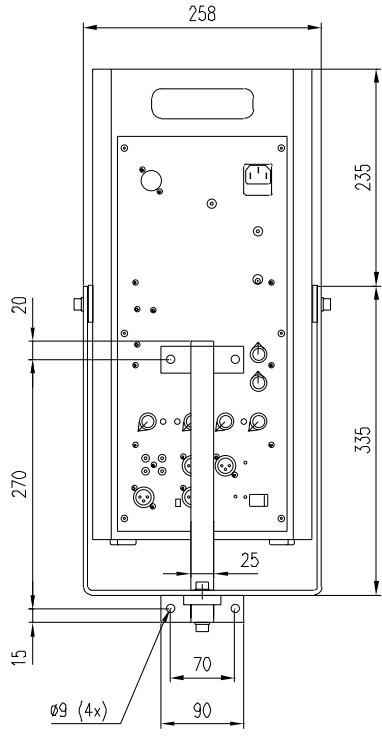


FP2 slave – Installation with wall bracket WHP2

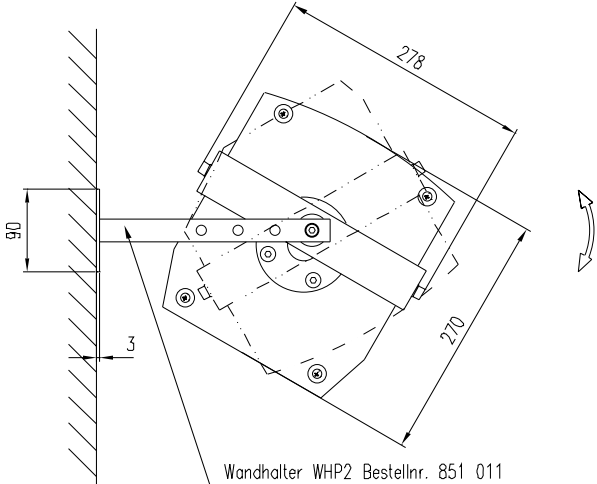
Front view



Rear view



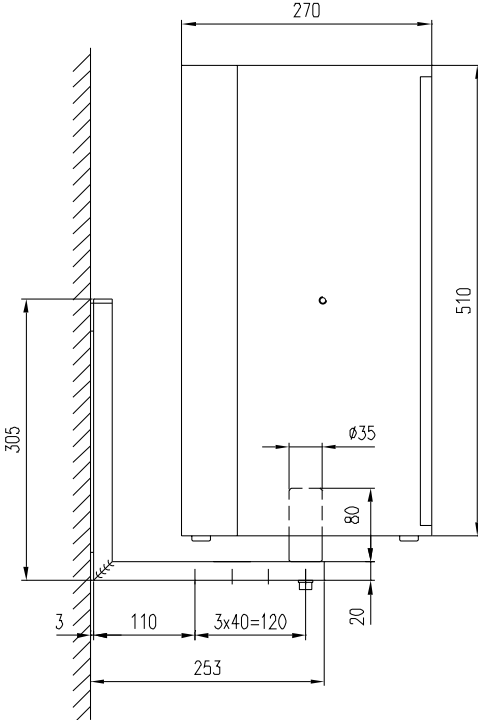
Bottom view



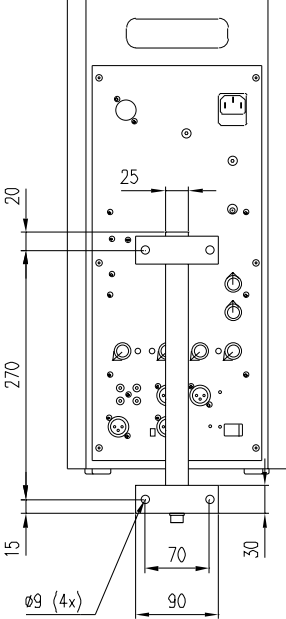
Wandhalter WHP2 Bestellnr. 851 011
 Wall bracket WHP2 order number 851 011

FP2 slave – Installation with wall bracket WHP1

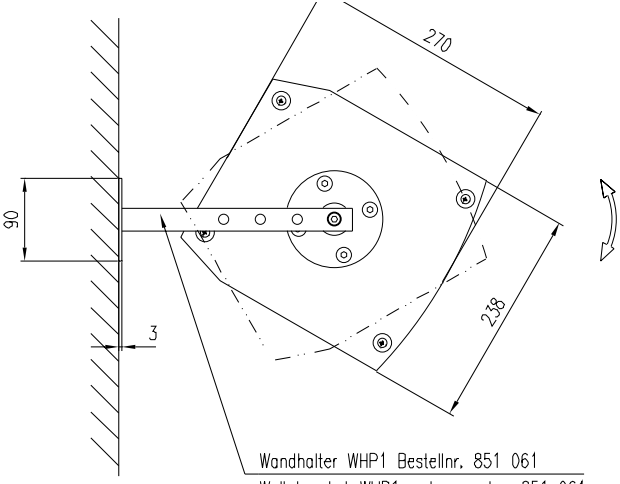
Side view



Rear view



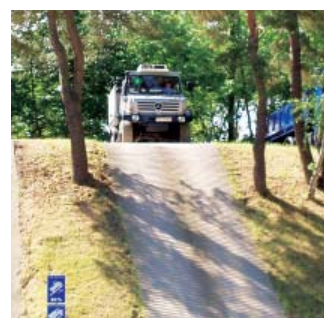
Bottom view



Wandhalter WHP1 Bestellnr. 851 061
 Wall bracket WHP1 order number 851 061

SOUNDS PERFECT. IS PERFECT.

Fohhn audio systems. The ultimate all-round audio experience.



■ German quality
■ engineered and made
■ by Fohhn®

Fohhn Audio AG

Hohes Gestade 3-5
D-72622 Nürtingen
Germany

Tel. +49 7022 93323-0

Fax +49 7022 93324-0

www.fohhn.com

info@fohhn.com