



KEY FEATURES

- High Power passive portable Line Array element
- 12 x 3.5" neodymium transducers with waterproof cones
- 360W continuous power – 720W program power
- Line Array dispersion characteristics
- Acoustic transmission line back loading design, resulting in clean mid-bass reproduction and natural cardioid behaviour
- Wide horizontal dispersion through Front Diffraction Waveguide (FDW)
- Fast, easy-to-use integrated suspension system
- Aluminium frame structure
- Designed for mobile and installed applications
- Black or white finish

TECHNICAL SPECIFICATIONS

SYSTEM

System's Acoustic Principle	Line Array Element Short Transmission Line Back Loading Front Diffraction Waveguide
Frequency Response ($\pm 3\text{dB}$)	180 Hz - 16 kHz (Processed)
Nominal Impedance	16 Ohm
Horizontal Coverage Angle	100°
Sensitivity (4V)	105 dB SPL @ 1m*
Maximum (peak) SPL	130 dB SPL @ 1m*

TRANSDUCERS

Type	12 x 3.5" (88mm) Neodymium magnet woofers, 1"(25mm) VC
Cone	Waterproof Cone
Voice Coil Type	Ventilated voice coil

INPUT CONNECTIONS

Connector Type	Neutrik® speakON® NL4 x 2 (1+/1- signal IN & LINK ; 2+/2-thru)
----------------	--

POWER HANDLING

Continuous AES Pink Noise Power	360 W
Program Power	720 W

ENCLOSURE & CONSTRUCTION

Width	107 mm
Height	1166 mm (without flying system) 1212 mm (with flying system)
Depth	193 mm
Enclosure Material	Aluminium
Paint	High resistance, water based paint, black or white finish
Flying system	Aluminum Fast Link structure with dedicated pins
Net Weight	13 kg / 28.6 lbs

*measured @4 m and scaled @1 m

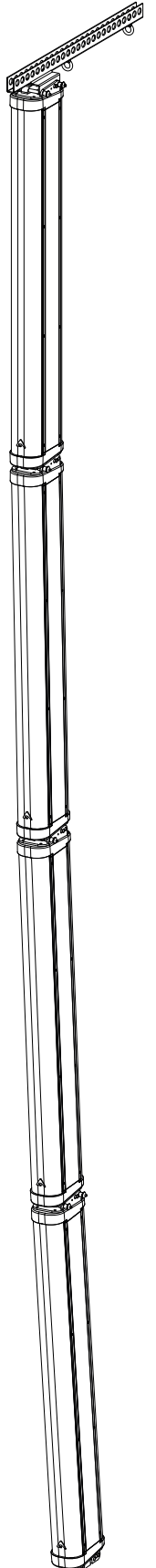
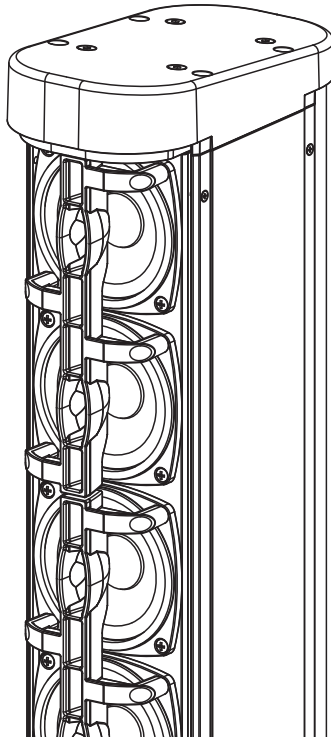
APPLICATIONS

- Portable system for live bands
- Installed system for theatres, clubs, houses of worship, conference rooms
- Portable AV system for corporate events
- High performance mobile DJ system



DESCRIPTION

The AX12C Line Array is a passive system equipped with twelve 3.5" neodymium transducers with waterproof cones, designed for portable and permanently installed applications where high power and clarity are needed. The aluminum frame box structure ensures lightweight and strength, while the shape features a back-loaded transmission line design with clean mid-bass reproduction and natural cardioid behaviour. A Front Diffraction Waveguide (FDW) delivers wide horizontal dispersion, making the system flexible and adaptable to many different applications.



RIGGING HARDWARE AND ACCESSORIES

Thanks to the elegant mechanical design the AX12C can be easily transported, while the integrated suspension system makes its deployment very fast and simple. Each unit comes with two aluminum brackets and four pins that allows multiple array elements to be easily combined either together or with the matching SW2100A subwoofer. The brackets allow inter-cabinet angles of 0° and 2°.

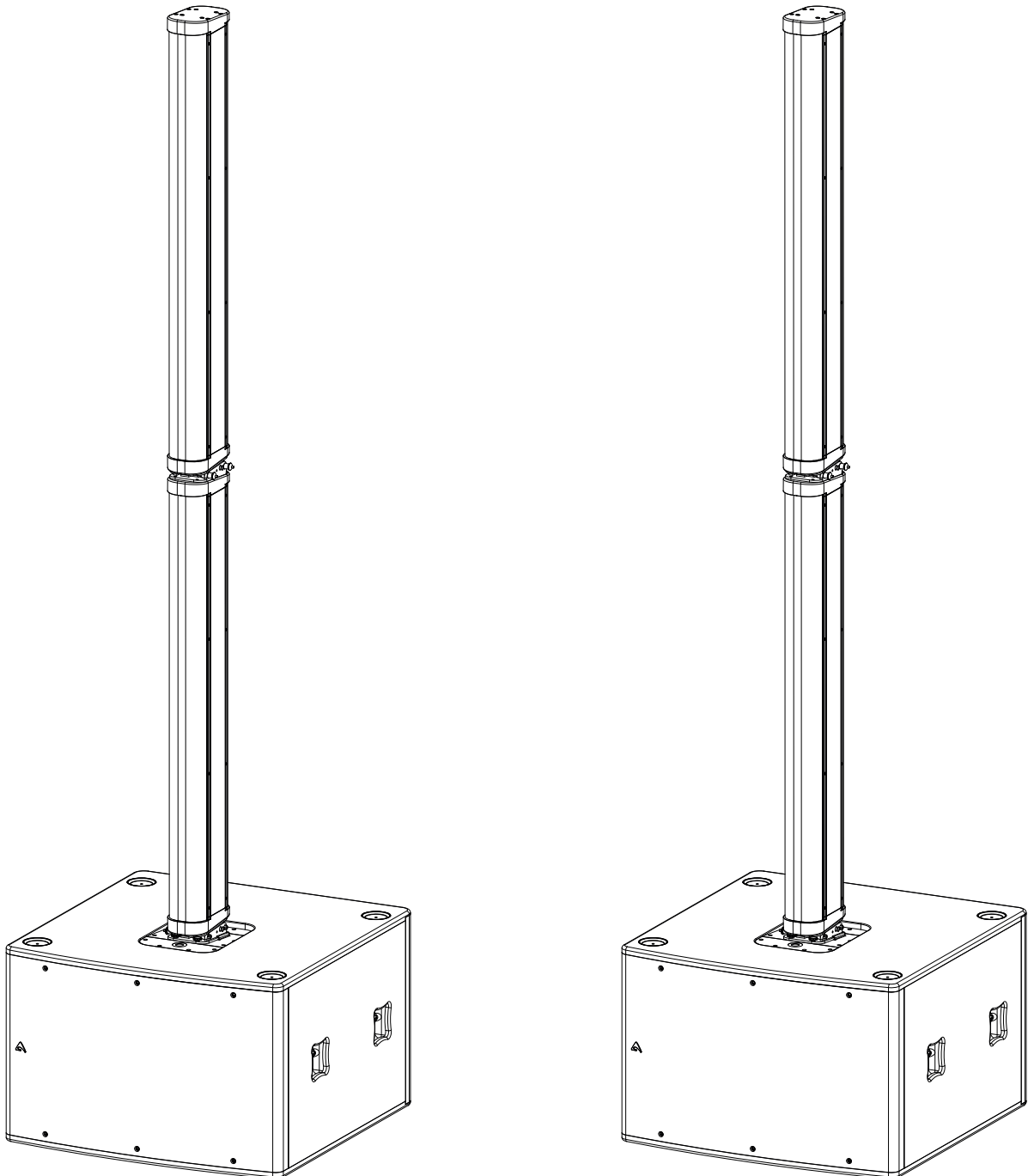
A complete range of accessories for transport, installation and connections are available.

KPTAX12C	Flybar for suspending up to 4 units
KPTWAX12C	Wall bracket for up to 2 units
KPTFAX12C	Floor stand
KPTPOLEAX12C	Pole adapter
AXCASE09	Flight case for two AX12C and accessories
AXCASE10	Flight case for four AX12C and accessories
COVERAX12C	Cover / carry bag for single AX12C
PLG716	Galvanised steel shackle
ESO2500LU025	25cm 4x4mm SPEAKON linking cable
ESO2550LU025	25cm 4x4mm SPEAKON linking cable TWISTED
ESOSPK-Y-PATCH	Y SPEAKON patch box

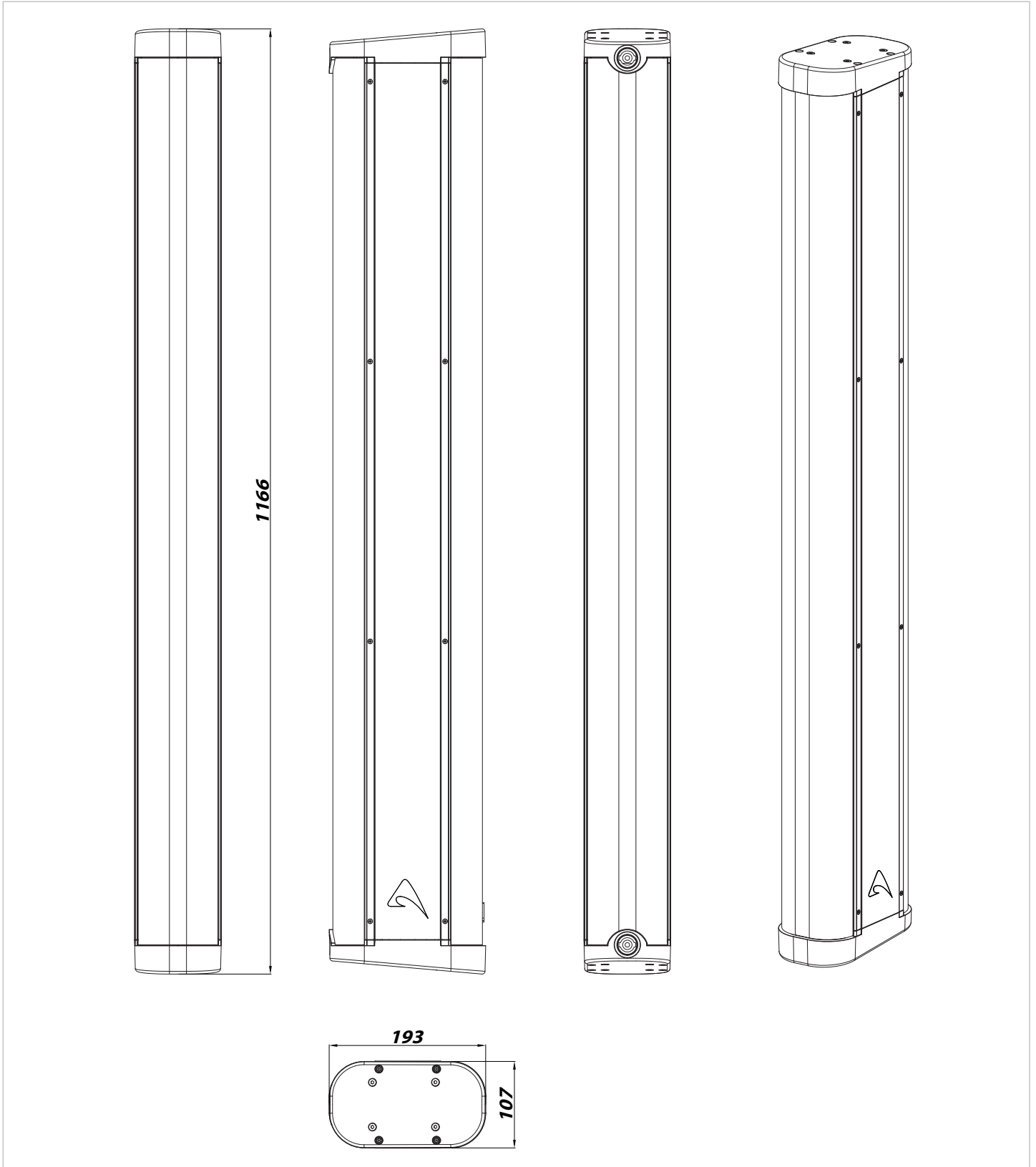
THE SYSTEM

The AX12C line array module has been designed to be combined with the SW2100A, a compact and lightweight 21" Band-Pass/Bass-Reflex subwoofer, equipped with a 4000W Class D amplifier with Power Factor Correction and PROEL's proprietary 96kHz / 40bit floating point CORE DSP. Up to four AX12C modules can be driven by one amplifier channel of the SW2100A subwoofer. The built-in CORE DSP, which can be also remotely controlled using PRONET AX software, provides 4 presets for different combinations: 2, 4 or 1 columns plus 1 user preset.

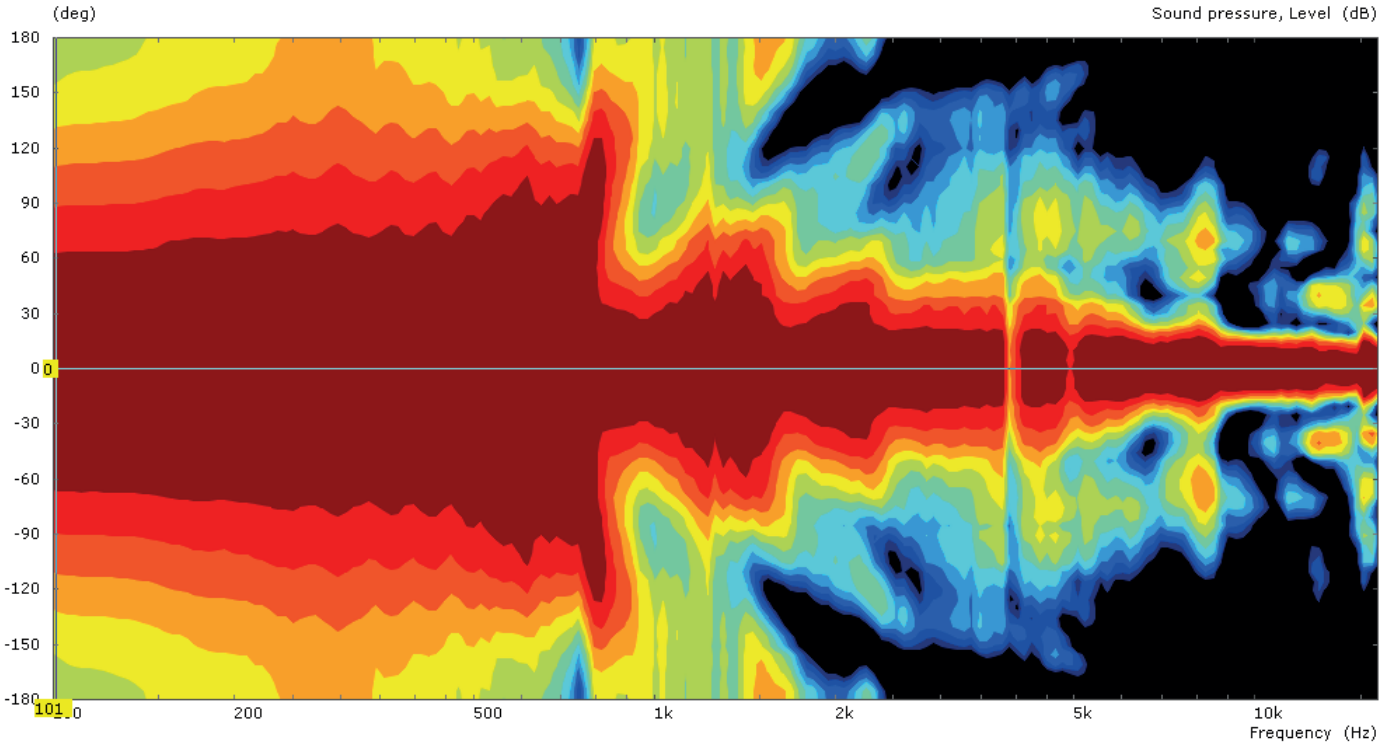
The standard system, composed of four AX12C line array modules and two SW2100A subwoofers, features 8000W of total power and a line-array dispersion pattern, making it the perfect solution for high-performance portable sound reinforcement applications.



ENGINEERING DRAWING



AX12C HORIZONTAL directivity map



AX12C VERTICAL directivity map

