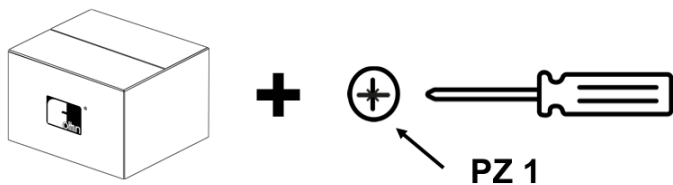


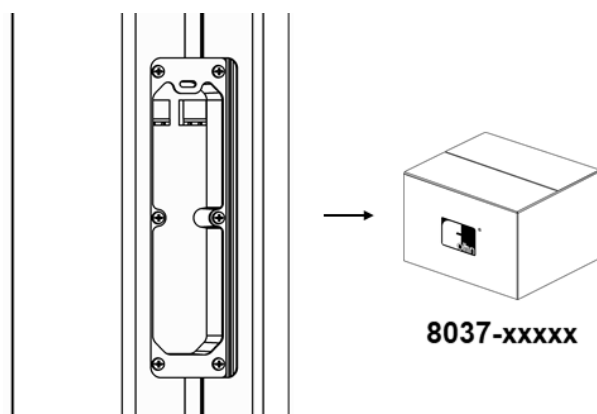
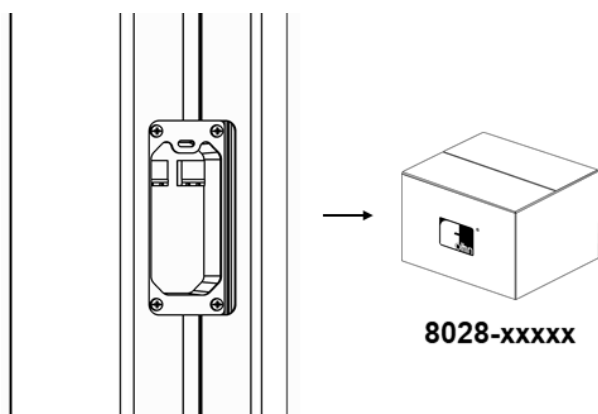
User manual

Cable Gland Set S (8028-xxxxx)

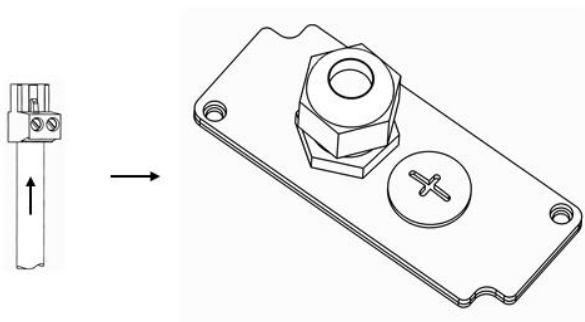
Cable Gland Set L (8037-xxxxx)



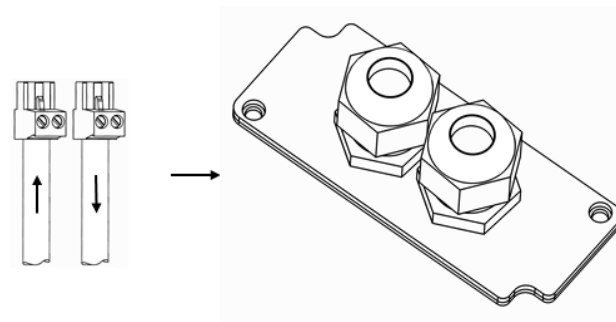
1.



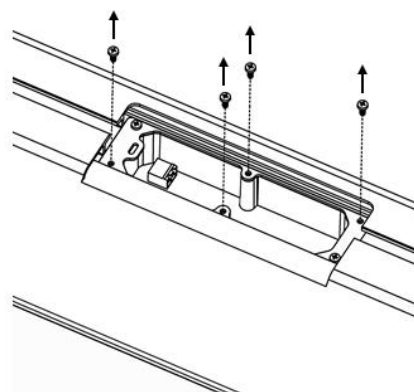
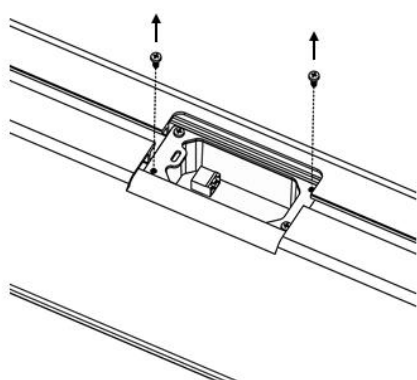
2a.



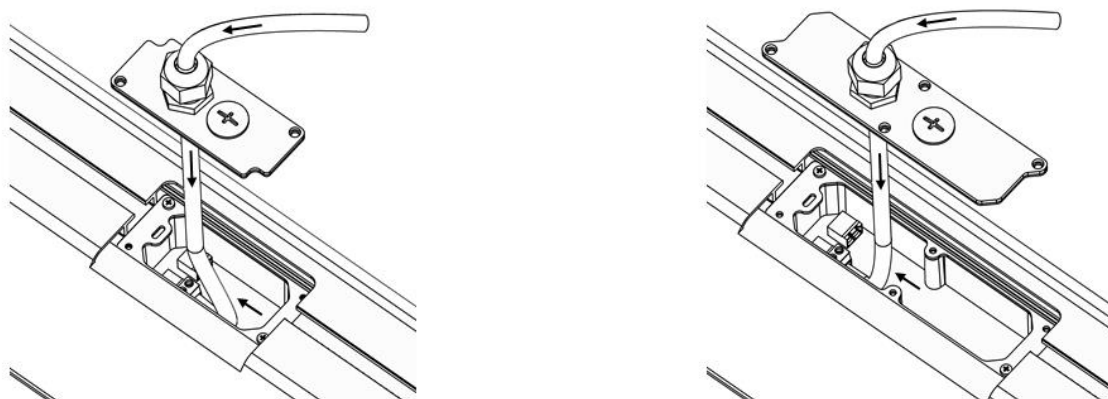
2b.



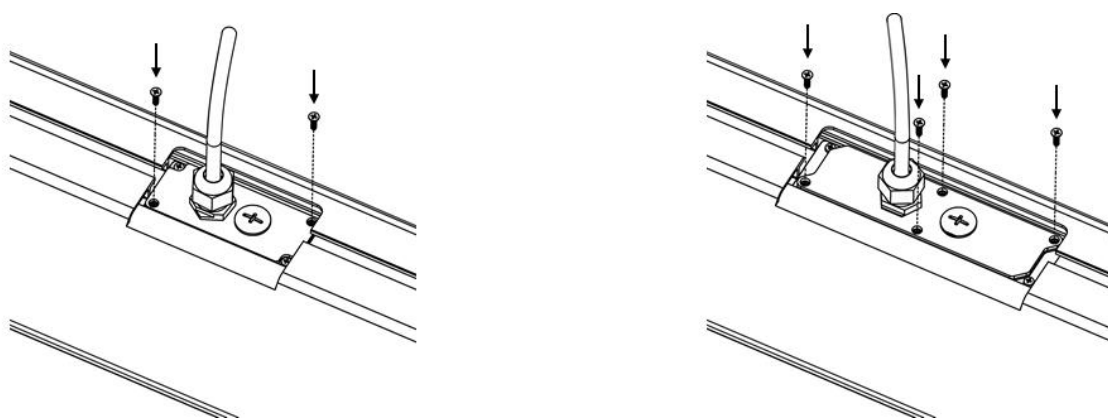
3.



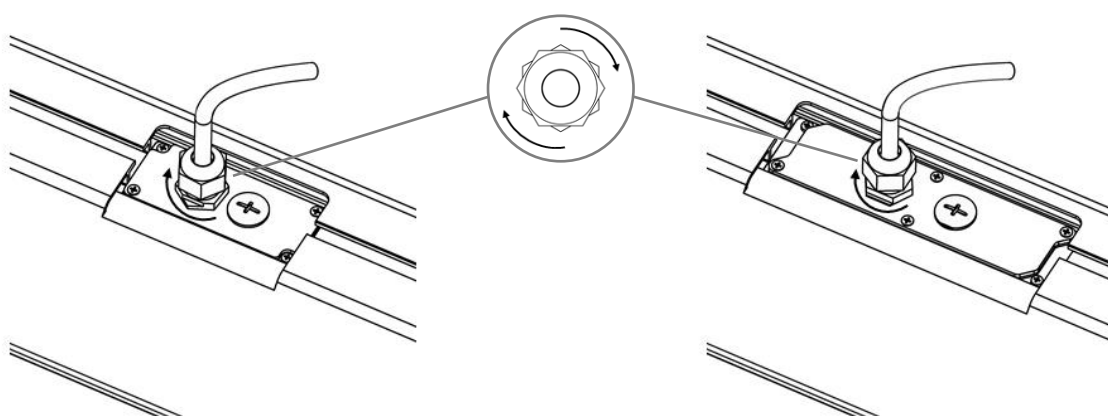
4.



5.



6.



Information

