

User manual

LXP-10



9.0.0

January 27, 2026

Copyright © 2026 Fohhn Audio AG

Fohhn Audio AG reserves the right to make changes to its product design and technology without notice. All information is subject to change.

Table of Contents

1. Introduction	4
2. Important safety information	5
2.1. Explanation of terms	5
2.2. General safety instructions	5
2.3. Acoustic safety instructions	7
2.4. Connections and wiring	7
2.5. operating conditions	7
2.6. Storage and transportation	8
3. The product	9
3.1. Product description	9
3.2. Scope of supply	9
4. Commissioning	10
4.1. Installation	10
4.1.1. Secondary safety suspension	10
4.1.2. Mounting slot nuts	10
4.1.3. Rotating the logo	11
4.1.4. Installing the connection panel cover	12
4.2. Connections	13
4.3. Configuration and monitoring	14
5. Technical data	15
6. Servicing and repair	16
7. Disposal	17
8. EU declaration of conformity	18
9. Contact address	19

1. Introduction

Please read this user manual carefully and familiarize yourself with your product before using it for the first time. For your own safety and to ensure a long service life for your product, follow the instructions, safety precautions, and warnings in this user manual. Ignoring these instructions may result in damage to the product and personal injury.

This document is intended exclusively for qualified specialists or personnel with appropriate technical training. The information contained herein is intended for the installation and maintenance of this product and requires a thorough understanding of the technical aspects and applicable safety standards. By using this product, you agree that you have the necessary professional competence to install or maintain it safely and properly. Any actions outside your scope of authority may pose risks and are not recommended. If you have any doubts or questions, please contact our technical support or contact authorized specialist retailers. The information presented here is intended as ancillary advice and does not affect the user's ultimate responsibility to ensure safe operation on site.

2. Important safety information

Please read and follow these safety instructions and any other instructions given for your Fohhn products before using or installing them. Always keep the instructions near the devices. Reading them does not replace the need for awareness of and compliance with currently applicable national safety regulations and standards, or the observance of safe on-site working methods. All information published here is based on data that was available at the time of publication. We expressly reserve the right to make any changes.

2.1. Explanation of terms



DANGER

This signal word indicates a hazard with a high-risk level, which, if not avoided, could result in death or serious injury.



WARNING

This signal word indicates a hazard with a medium risk level, which, if not avoided, could result in death or serious injury.



CAUTION

This signal word indicates a hazard with a lower risk level, which, if not avoided, could result in minor or moderate injury.



NOTICE

This signal word indicates a hazard that may result in damage to the product if the measures are not followed.

2.2. General safety instructions

All components required for the mounting or suspension of a Fohhn system have been designed and constructed in accordance and compliance with the following regulations that are applicable in Germany: DGUV V17 (formerly BGV-C1), DGUV I215-313 (formerly BGI 810-3), DIN EN 1993-1-1 and DIN EN 1999-1-1.



DANGER

To avoid danger to life or limb, please ensure that all personnel involved in installing or deconstructing such a system have read and understood the contents of this user manual. All personnel should be aware of local regulations concerning workplace safety. It is strongly recommended to wear suitable personal protective equipment during installation.



WARNING

To prevent injuries from a collapsing or falling system,

- the device must be securely mounted in accordance with the installation instructions and the applicable safety guidelines. Only use the recommended, original Fohhn mounting accessories and never exceed their maximum load capacity.
- the load limit of any component used to suspend the system (including shackles, chains and hoists) must not be exceeded. In order to comply with local safety regulations, these load limits may have to be recalculated and, if necessary, reduced based on the underlying safety factors (operating coefficients)
- the device must be regularly inspected for any signs of wear or loosening of the rigging connections.
- it is necessary to ensure that the mounting points on a building, scaffolding or truss structure have sufficient load-bearing capacity and are structurally viable.
- all components and devices must be visually inspected before installation. Any component showing signs of deformation, cracks, corrosion, fractured welds or other signs of wear must not be used under any circumstances.
- No one is allowed to climb on flown or stacked loudspeaker systems.
- it is strongly recommended that a flown (loudspeaker) system should be landed and dismantled if local wind intensity is equal or greater than 6 Bft (Beaufort Scale).



WARNING

To prevent injury through accidents, the stability of the entire system (e.g. during assembly, in a vertical stack or when using a pole-mounted flange) must be guaranteed. Make sure that the system cannot topple over (e.g. as the result of a sloping surface or wind) and that it is protected against being hit from people or vehicles, for example.



CAUTION

To avoid injuries,

- The device must be stored, installed and operated out of the reach of children.
- the device must be taken out of operation, marked appropriately and protected against accidental use if it shows visible signs of damage, appears to contain loose parts, is not working correctly or has been subjected to poor transportation conditions (e.g. with unsuitable packaging). In this case, contact your Fohhn retailer and the transport company immediately.

2.3. Acoustic safety instructions



WARNING

Fohhn systems can generate very high sound pressure levels that can cause irreparable hearing damage. To avoid potential damage to your hearing, never stand in the immediate vicinity of the system when it is in use. Keep more than 5 meters away from powerful Fohhn systems, but also at least 1 meter away from smaller ones for the near field or smaller interior spaces.

To prevent both hearing impairment and damage to your Fohhn systems, avoid the following while the device is in operation:

- acoustic feedback
- high powered, permanently distorted signals
- impulse noises, which may occur when some other device in the signal chain is switched on or off, connected or disconnected from the system (e.g. a mixing console, an audio matrix, or a controller)

2.4. Connections and wiring



WARNING

Please note the following when wiring up your system:

- Wiring of loudspeaker systems should only be carried out by suitably qualified personnel.
- Only use professional and properly functioning cabling and connector materials.
- Only use properly shielded plugs and cables with a sufficient cross section.
- Only use power cables with a fully intact earthing.
- Protect any laid cables from unnecessary traction.
- Never use any signal or power cables for mounting, hoisting or securing a system.
- Note the respective pin assignment of audio and data cabling.

2.5. operating conditions



WARNING

The device should be immediately inspected by a Fohhn approved service partner if

- the mains power socket is damaged,
- a foreign body or liquid has got into the interior of the device,
- the device is not working normally i.e. it is showing marked differences in performance,
- the device is damaged (e.g. after a fall).



CAUTION

Please observe the following instructions when operating your Fohhn system:

- The permitted ambient temperature of the device during operation ranges from 0°C to +40 °C. A short period of use outside this temperature range is possible, but not advisable.
- The device is intended for use in a dry environment with normal levels of dust and humidity in the air. Please note the IP code.
- Never expose the device to any aggressive chemical fluids or vapors.
- Always make sure that heat can be dissipated via the rear surface of the device enclosure. Maintain these gaps: left/right side >5 cm, back >10 cm, top >10 cm.
- Always make sure that the device is well ventilated.

Information on abnormal operation: If the permissible operating temperature of a powered Fohhn device (active loudspeaker system or amplifier) is too high (over 75 °C), the device will shut down automatically to protect itself. As soon as the temperature returns to within the normal operating range, the device will automatically turn back on. The temperature of the Fohhn system can be monitored in Fohhn Audio Soft. Shutdown is getting more likely if the product is exposed to direct sunlight or very high environmental temperatures.

2.6. Storage and transportation



NOTICE

Please note the following information:

- The device should only be transported in its dedicated transport case.
- Store the device in a dry environment with a constant ambient temperature to avoid condensation.
- The permitted ambient temperature range for storing the device is -10 °C to +70 °C.
- Due to fluctuations in temperature during transportation and storage, condensation may start to build up on the surface of the device. Before operating the device, examine its surface for any signs of moisture. If this is the case, allow the unpacked device to acclimatise for two hours in the environmental temperature before using it.

3. The product

3.1. Product description

LXP series is a passive fullrange line source system. It was developed for high-quality transmission of speech and music even in difficult acoustic environments. LXP is the even more powerful successor to the renowned Fohhn LX product line. To eliminate the need for mechanical tilting of the product in many applications, the sound dispersion is tilted downwards by 5°. This does not only apply to the high frequency driver – The sound from the 4" chassis is also tilted by a fixed 5° through passive beam steering. This and the new, continuous T-slot allow easy and flexible mounting. The redesigned connector panel allows easy attachment of add-ons such as SpeakOn® adapter modules and weatherproof cable glands.

The following table provides an overview of the components in the LXP series loudspeakers:

Product	Components
LXP-10	1× 0,75" tweeter + 1× 4" long excursion woofer (coaxial)
LXP-60	1× 1" driver + 4× 4" long excursion woofer
LXP-100	1× 1" driver + 8× 4" long excursion woofer
LXP-150	1× 1" driver + 12× 4" long excursion woofer
LXP-220	2× 1" driver + 18× 4" long excursion woofer

3.2. Scope of supply

Every Fohhn product is examined to the highest quality and safety standards before despatch. Please examine your new product carefully for any signs of damage that may have occurred during transportation and, if necessary, inform your Fohhn retailer and the transport company immediately. Please also check that the packaging includes all components belonging to the product. If anything is missing, please let your Fohhn retailer know immediately.

Your Fohhn system includes:

- 1× LXP series loudspeaker system
- 1× operating instructions with download link for user manual (available online via www.fohhn.com)
- slot nuts

4. Commissioning

4.1. Installation

For mounting, the loudspeaker has a continuous T-slot on the rear of the enclosure. Along this T-slot, cables can be routed, stand, wall, and ceiling brackets can be installed, or additional accessories such as safety brackets and flying adapters can be mounted. The loudspeaker can be attached using the included slot nuts and screws.

4.1.1. Secondary safety suspension

Only Fohhn SB-S and SB-L safety brackets may be used as slings for the secondary safety suspension of your loudspeaker. The maximum permissible load capacity of the safety brackets and all safety elements used (safety ropes, quick links, etc.) must not be exceeded at any time.

Slings and safety elements (such as safety ropes) must always be attached in such a way that they do not allow any fall distance. If the loudspeaker needs to be adjusted at a later date, the maximum fall distance of 20 cm must not be exceeded, regardless of the type of mounting.

4.1.2. Mounting slot nuts

The continuous T-slot allows flexible mounting along the entire length of the loudspeaker on the rear of the enclosure. The slot nuts are inserted as follows:

1. Insert the slot nut into the T-slot.



2. Press the slot nut into the T-slot with light pressure.



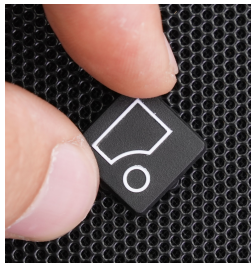
3. Align the slot nut correctly (with the ball facing inwards) so that a screw can be screwed in. A screwdriver or an Allen key can be used for this purpose.



4.1.3. Rotating the logo

If the speaker logo is not positioned correctly, it can be rotated. To rotate a logo by 90 degrees, proceed as follows:

1. Grasp the logo with your index finger and thumb and rotate it in any direction.



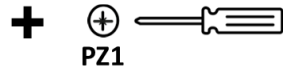
2. Check the alignment and, if it is correct, release the logo. Make sure that the logo clicks into place properly to prevent unwanted noise (e.g., rattling).



TIP

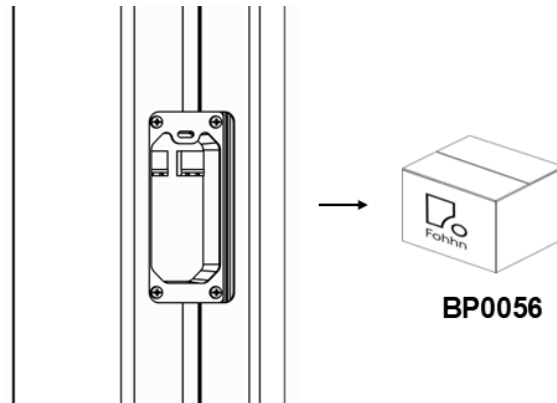
You can rotate the logo in 90° steps.

4.1.4. Installing the connection panel cover

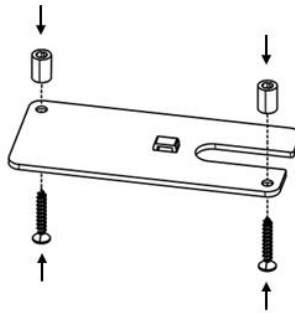


CC-S (BP0056)

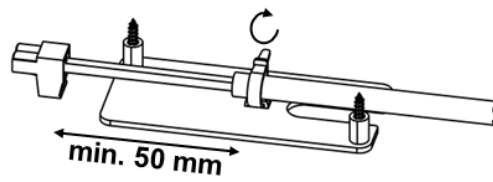
1.



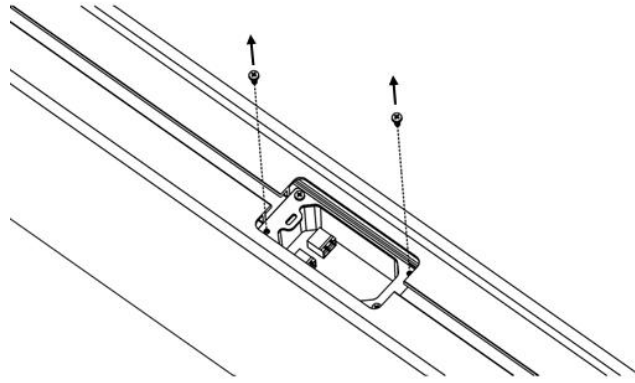
2.



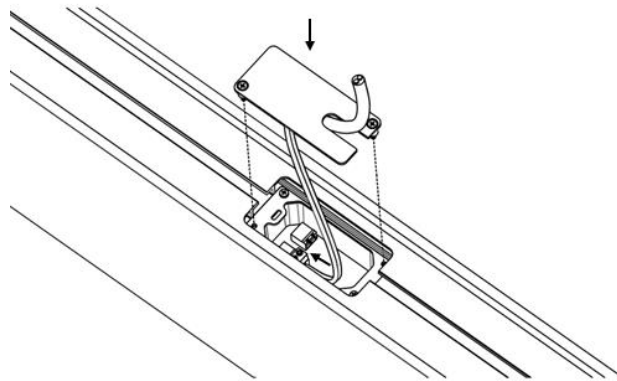
3.



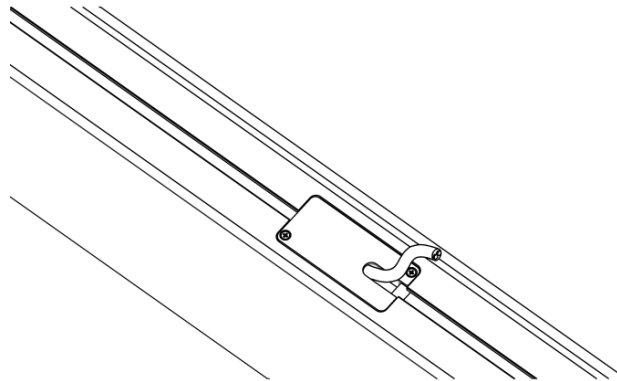
4.



5.

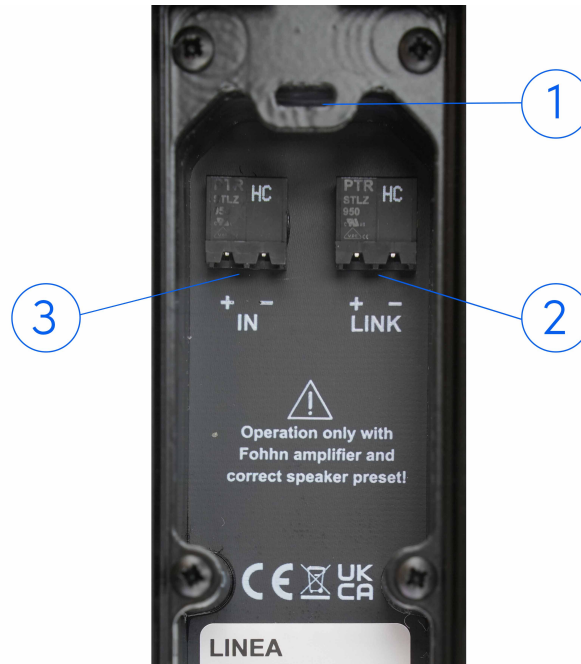


6.



4.2. Connections

All passive loudspeakers of the LXP series have a connection panel on the rear with a 2-pin terminal each as input (3) and link (2). The lug (1) offers the possibility of a strain relief for the connection cables.



4.3. Configuration and monitoring

The loudspeaker you have purchased is a passive loudspeaker system for use with Fohhn amplifiers. For the best possible performance and optimal protection of the loudspeaker, the corresponding preset must be assigned to the amplifier channel to which the loudspeaker is connected using Fohhn Audio Soft. To do this, you need a Windows PC with the Fohhn Audio Soft control software installed (free download at www.fohhn.com).

5. Technical data

LXP-10	
Electroacoustic features	
acoustic design	kompakter wetterfester Fullrange-Nahfeldlautsprecher, 2-Wege koaxial
components	1× 4" long excursion woofer / 0,75" dome tweeter, with self-resetting IPC HF protection, neodym components
power rating (nominal) ¹	60
power rating (program) ²	240
power rating (peak)	120
maximum SPL ³	106 dB
maximum SPL with MA-x.100	100 dB
maximum SPL with MA-x.600	106 dB
maximum SPL with MA-x.1200	106 dB
maximum SPL with DI-x.1000	106 dB
maximum SPL with DI-x.2000	106 dB
maximum SPL with DI-x.4000	106 dB
frequency range ⁴	66 Hz – 20 kHz
two-way technology	yes
nominal impedance	8
nominal dispersion (h x v) ⁵	100° × 100°
Physical features	
enclosure	wetterfestes Aluminiumgehäuse, pulverbeschichtet
front design	ballwurfsicheres Stahlgitter, pulverbeschichtet, mit akustisch transparenten 3D Gewebe hinterlegt
protection grille	Steel grille, powder coated, backed with acoustically transparent 3D mesh
mounting points	T-Nut, durchgehend auf Rückseite
connectors	2x 2-pol Phoenixklemme
standard colors	black (RAL 9005), white (RAL 9016)
dimensions (W × H × D)	133×130×128 mm
weight ⁶	1.3 kg
IP code	IP52 (IP54 with Cable Gland Set)
Remote control and monitoring	
remote control	EASE, CLF, Fohhn Designer
Optional equipment	
special colors	all RAL colors
weather protection	IP54 with Cable Gland Set

¹according to IEC-60268-5 long term

²according to IEC-60268-5 short term

³power rating (peak); maximum SPL: peak, 20 ms with bandpass filtered pink noise signal according to IEC 60268-2 at one octave above the lower limit of the frequency range, with speaker preset

⁴frequency range: -10 dB under anechoic halfspace-conditions with speaker preset

⁵nominal dispersion: horizontal × vertical at -6 dB

⁶weight: net weight without optional equipment

6. Servicing and repair

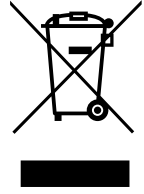
Only persons who have been instructed and trained by Fohhn may carry out servicing and/or repairs. Do not carry out any servicing or repairs on the device.

To find the nearest Fohhn service center, please contact us at the address given in this document. [Contact address \[19\]](#).

Keep the packaging of the devices so that, in the event of any damage, it can be returned in its original packaging. This minimizes the risk of transport damage.

7. Disposal

Please note that this product must not be disposed of with household waste but must be taken to a disposal point for electrical/electronic waste. Observe all applicable national or local legal regulations. For more information, please contact your local city office, your local waste transfer station or your local distributor.



8. EU declaration of conformity

We hereby certify that this product complies with the currently applicable standards of the EMC Act and that the CE mark shown here is therefore affixed to the product.

The EU declaration of conformity for this product can be downloaded from the Fohhn website www.fohn.com under the respective product.



9. Contact address

Fohhn Audio AG
Großer Forst 15
72622 Nürtingen
Germany
Tel.: +49 7022 93323-0
Fax: +49 7022 93324-0
www.fohn.com
<contact@fohn.audio>