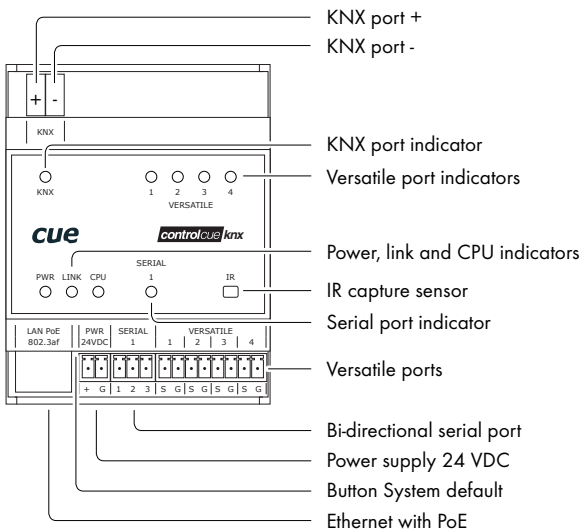


controlCUE-knx-d

CS0455



Description



Connector Pinouts

PWR 24 VDC

| Pin | Description |
|-----|---------------|
| + | Power +24 VDC |
| G | Ground |

VERSATILE 1 - 4

| Pin | Description |
|-----|----------------------|
| 1 S | Versatile 1 - signal |
| 1 G | Ground |
| 2 S | Versatile 2 - signal |
| 2 G | Ground |
| 3 S | Versatile 3 - signal |
| 3 G | Ground |
| 4 S | Versatile 4 - signal |
| 4 G | Ground |

SERIAL 1

| Pin | RS-232 | RS-485 |
|-----|--------|--------|
| 1 | TxD | A+ |
| 2 | RxD | B- |
| 3 | Ground | Ground |

KNX

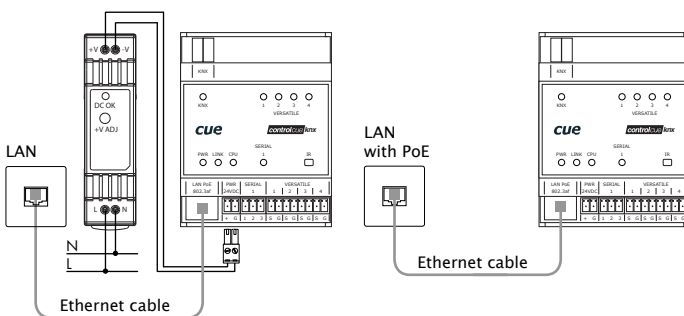
| Pin | Description |
|-----|---------------------------|
| + | KNX bus +, connector red |
| - | KNX bus -, connector grey |

Power Supply and LAN Connection

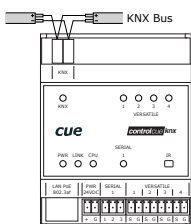
Power Supply 24 VDC

(delivered DIN rail power supply)

PoE Power Supply



KNX Port Usage



This galvanically isolated port provides connection to the KNX bus.

The controller has a built-in BCU (bus coupling unit) which supervises the correct access to the KNX bus. The KNX telegrams can be both sent to and received from the KNX bus.

System Default Setup

When System Default button is pressed, the system default function is performed and setup is as follows

- IP address: 192.168.1.127
- IP Mask: 255.255.255.0
- Password: Empty (no input required)

User Manual

Complete user manual can be downloaded here:
http://www.cuesystem.com/user_manuels.aspx

Versatile Ports Usage

Input modes

| | |
|-----------------------|--|
| Digital input | Adjustable threshold <ul style="list-style-type: none"> • High sensitivity binary 0 < 1.45 V, binary 1 > 2.05 V • Low sensitivity binary 0 < 5.8 V, binary 1 > 8.2 V Input impedance >100 kΩ Adjustable digital filter |
| Digital pulse counter | Adjustable threshold as above Input impedance as above Pulse length min. 1 ms, max. frequency 500 Hz Max. number of pulses 2 147 483 647 (Long) Adjustable digital filter |
| Voltage input | Range 0 ÷ 2.5 VDC, 0 ÷ 10 VDC, auto Input impedance >100 kΩ Resolution 12-bit Adjustable digital filter Accuracy ±0.1 % of reading, ±0.1 % of range (0.1 ÷ 10 V, digital filter applied) |
| Resistance input | Range 2 kΩ, 20 kΩ, 200 kΩ, auto Resolution 12-bit Adjustable digital filter Accuracy (digital filter applied) <ul style="list-style-type: none"> • 100 Ω ÷ 800 Ω ±3 % of reading, ±0.1 % of range • 800 Ω ÷ 20 kΩ ±0.3 % of reading, ±0.1 % of range • 20 kΩ ÷ 200 kΩ ±1 % of reading, ±0.1 % of range |

Output modes

| | |
|------------------|--|
| Digital output | Max. sink current 200 mA / max. 30 VDC Catch diodes for use with real load |
| Current pullup | Current-source pull-up 12 V / 10 mA |
| Current pulldown | Current-source pull-down -12 V / 10 mA |
| IR output | Maximum IR carrier frequency 500 kHz Up to 3 original IR Adapter /i in parallel |
| Serial output | RS-232 Serial data baud rate 300 Bd ÷ 115 200 Bd (bps) |