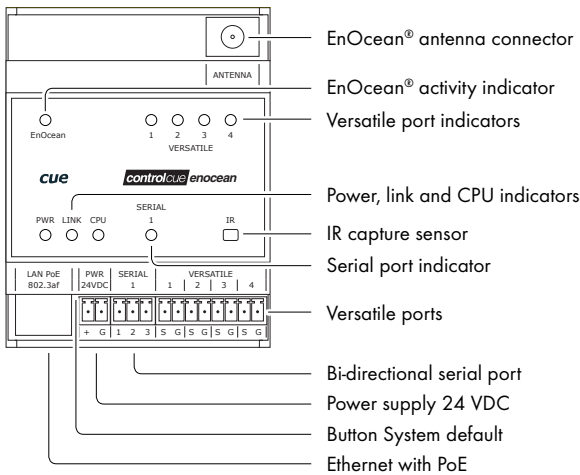


controlCUE-enocean-d

CS0458



Description



Connector Pinouts

PWR 24 VDC

Pin	Description
+	Power +24 VDC
G	Ground

VERSATILE 1 - 4

Pin	Description
1 S	Versatile 1 - signal
1 G	Ground
2 S	Versatile 2 - signal
2 G	Ground
3 S	Versatile 3 - signal
3 G	Ground
4 S	Versatile 4 - signal
4 G	Ground

SERIAL 1

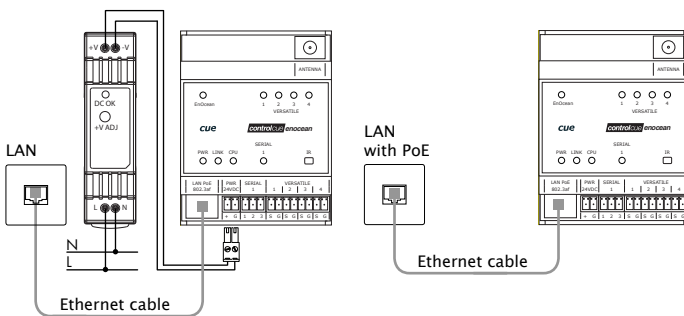
Pin	RS-232	RS-485
1	TxD	A+
2	RxD	B-
3	Ground	Ground

Power Supply and LAN Connection

Power Supply 24 VDC

(delivered DIN rail power supply)

PoE Power Supply

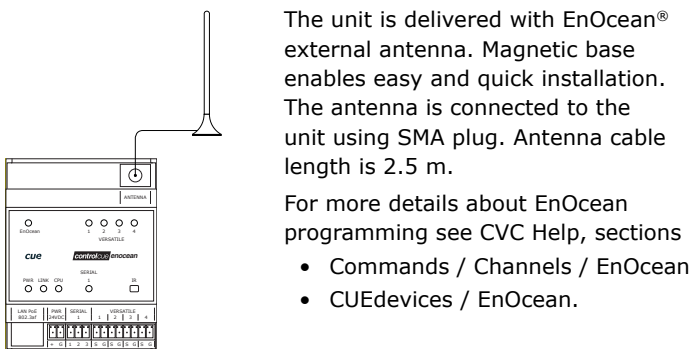


Versatile Ports Usage

Input modes

Digital input	Adjustable threshold <ul style="list-style-type: none"> High sensitivity binary 0 < 1.45 V, binary 1 > 2.05 V Low sensitivity binary 0 < 5.8 V, binary 1 > 8.2 V Input impedance >100 kΩ Adjustable digital filter
Digital pulse counter	Adjustable threshold as above Input impedance as above Pulse length min. 1 ms, max. frequency 500 Hz Max. number of pulses 2 147 483 647 (Long) Adjustable digital filter
Voltage input	Range 0 ÷ 2.5 VDC, 0 ÷ 10 VDC, auto Input impedance >100 kΩ Resolution 12-bit Adjustable digital filter Accuracy ±0.1 % of reading, ±0.1 % of range (0.1 ÷ 10 V, digital filter applied)
Resistance input	Range 2 kΩ, 20 kΩ, 200 kΩ, auto Resolution 12-bit Adjustable digital filter Accuracy (digital filter applied) <ul style="list-style-type: none"> 100 Ω ÷ 800 Ω ±3 % of reading, ±0.1 % of range 800 Ω ÷ 20 kΩ ±0.3 % of reading, ±0.1 % of range 20 kΩ ÷ 200 kΩ ±1 % of reading, ±0.1 % of range

EnOcean Port Usage



The unit is delivered with EnOcean® external antenna. Magnetic base enables easy and quick installation. The antenna is connected to the unit using SMA plug. Antenna cable length is 2.5 m.

For more details about EnOcean programming see CVC Help, sections

- Commands / Channels / EnOcean
- CUEdevices / EnOcean.

System Default Setup

When System Default button is pressed, the system default function is performed and setup is as follows

- IP address: 192.168.1.127
- IP Mask: 255.255.255.0
- Password: Empty (no input required)

User Manual

Complete user manual can be downloaded here:
http://www.cuesystem.com/user_manuels.aspx

Output modes

Digital output	Max. sink current 200 mA / max. 30 VDC Catch diodes for use with real load
Current pullup	Current-source pull-up 12 V / 10 mA
Current pulldown	Current-source pull-down -12 V / 10 mA
IR output	Maximum IR carrier frequency 500 kHz Up to 3 original IR Adapter /i in parallel
Serial output	RS-232 Serial data baud rate 300 Bd ÷ 115 200 Bd (bps)