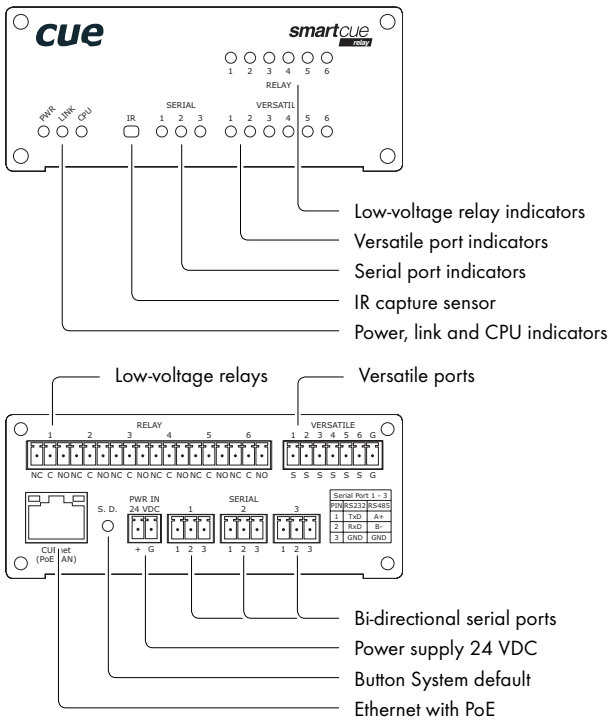


smartCUE-relay

CS0496



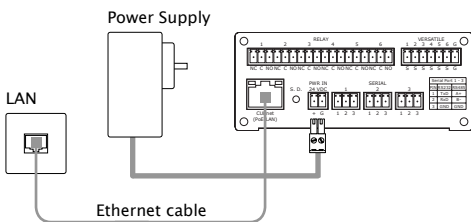
Description



Power Supply and LAN Connection

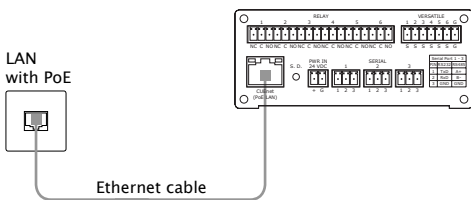
Power Supply 24 VDC

Delivered power supply 24 VDC / 24 W can be used for areas without PoE infrastructure.



PoE Power Supply

The integrated IEEE 802.3af PoE support allows installation in areas where PoE network infrastructure is installed.



System Default Setup

When System Default button is pressed, the system default function is performed and setup is as follows

- IP address: 192.168.1.127
- IP Mask: 255.255.255.0
- Password: Empty (no input required)

User Manual

Complete user manual can be downloaded here:
http://www.cuesystem.com/user_manuals.aspx

Connector Pinouts

PWR 24 VDC

Pin	Description
+	Power +24 VDC
G	Ground

SERIAL 1 - 3

Pin	RS-232	RS-485
1	TxD	A+
2	RxD	B-
3	Ground	Ground

VERSATILE 1 - 6

Pin	Description
1 S	Versatile 1 - signal
2 S	Versatile 2 - signal
3 S	Versatile 3 - signal
4 S	Versatile 4 - signal
5 S	Versatile 5 - signal
6 S	Versatile 6 - signal
G	Common ground

RELAY 1 - 6

Pin	Description	
1	NC	Relay 1 - contact normal close
	C	Relay 1 - common contact
	NO	Relay 1 - contact normal open
2	NC	Relay 2 - contact normal close
	C	Relay 2 - common contact
	NO	Relay 2 - contact normal open
3	NC	Relay 3 - contact normal close
	C	Relay 3 - common contact
	NO	Relay 3 - contact normal open
4	NC	Relay 4 - contact normal close
	C	Relay 4 - common contact
	NO	Relay 4 - contact normal open
5	NC	Relay 5 - contact normal close
	C	Relay 5 - common contact
	NO	Relay 5 - contact normal open
6	NC	Relay 6 - contact normal close
	C	Relay 6 - common contact
	NO	Relay 6 - contact normal open

Versatile Ports Usage

Input modes	
Digital input	Adjustable threshold <ul style="list-style-type: none"> • High sensitivity binary 0 < 1.45 V, binary 1 > 2.05 V • Low sensitivity binary 0 < 5.8 V, binary 1 > 8.2 V Input impedance >100 kΩ Adjustable digital filter
Pulse counter	Adjustable threshold as above Input impedance as above Pulse length min. 1 ms, max. frequency 500 Hz Max. number of pulses 2 147 483 647 (Long) Adjustable digital filter
Voltage input	Range 0 ÷ 2.5 VDC, 0 ÷ 10 VDC, auto Input impedance >100 kΩ Resolution 12-bit Adjustable digital filter Accuracy ±0.1 % of reading, ±0.1 % of range (0.1 ÷ 10 V, digital filter applied)
Resistance input	Range 2 kΩ, 20 kΩ, 200 kΩ, auto Resolution 12-bit Adjustable digital filter Accuracy (digital filter applied) <ul style="list-style-type: none"> • 100 Ω ÷ 800 Ω ±3 % of reading, ±0.1 % of range • 800 Ω ÷ 20 kΩ ±0.3 % of reading, ±0.1 % of range • 20 kΩ ÷ 200 kΩ ±1 % of reading, ±0.1 % of range
Output modes	
Digital output	Max. sink current 200 mA / max. 30 VDC Catch diodes for use with real load
Current pullup	Current-source pull-up 12 V / 10 mA
Current pulldown	Current-source pull-down -12 V / 10 mA
IR output	Maximum IR carrier frequency 500 kHz Up to 3 original IR Adapter / i in parallel
Serial output	RS-232 Serial data baud rate 300 Bd ÷ 115 200 Bd (bps)