



KPTAX1012H

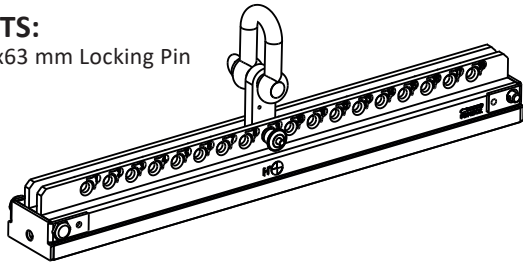
AX1012 HORIZONTAL ARRAY FLY BAR

SUPPLIED MATERIALS:

1x KPTAX1012H with locking plate and pin.
1x PLG714 14mm straight shackle

SPARE PARTS:

94SPI85770 8x63 mm Locking Pin



LOAD LIMITS and WARNINGS

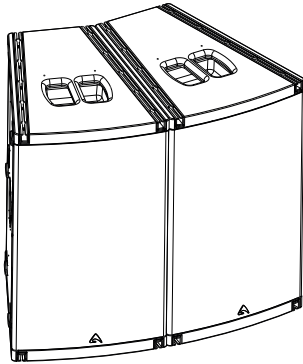
Typically two AX1012 cabinets are allowed to be suspended from a single KPTAX1012H bar, but depending on the array composition also three cabinets are allowed. Use always the KPTAX1012H fly bar with KPTAX1012 coupling bars at the bottom of the array.

Never use KPTAX1012H for suspending an AX1012 vertical array.
See ***AX1012 User's Manual*** for complete rigging instructions and all the details about the use of KPTAX1012H.
The **MAXIMUM LOAD CAPACITY** of KPTAX1012H is **480 kg (1058.2 lbs.)** with balanced load.

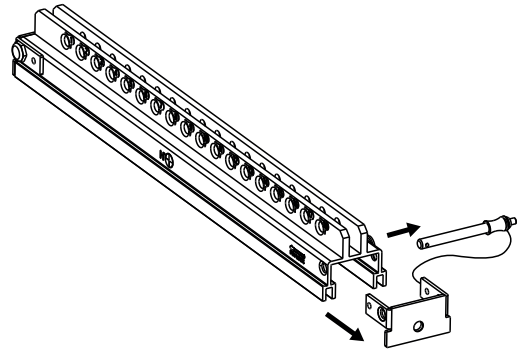
ASSEMBLING INSTRUCTIONS

Follow the sequence below to couple two AX1012 units in an horizontal array using the KPTAX1012H fly bar: you can use the same procedure for assembling horizontal arrays made of more units.

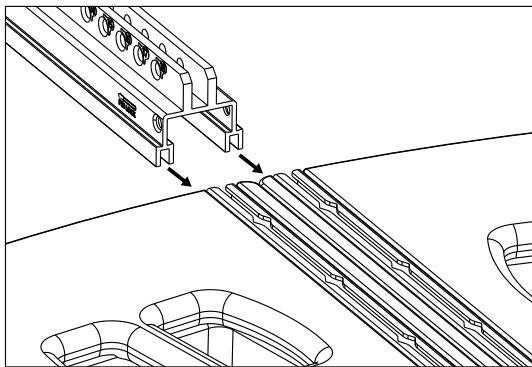
1) Place the box on the floor exactly under the lifting point.



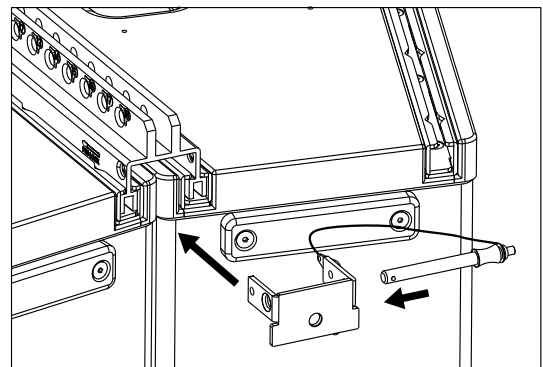
2) Remove the locking plate at the end of the flying bar.



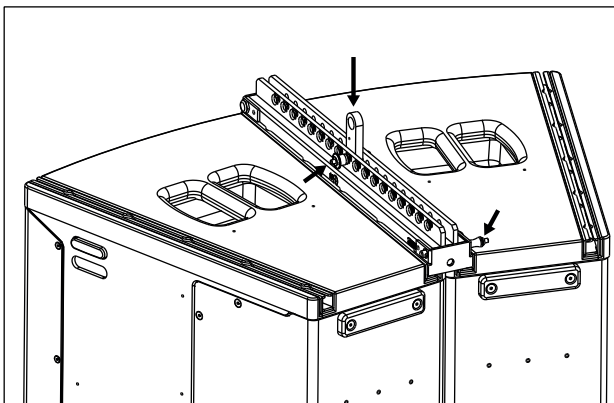
3) Insert the bar in the rails from the front of the speakers.



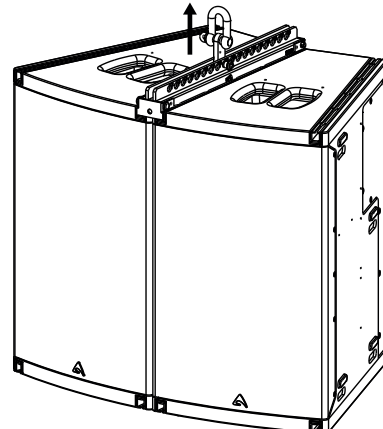
4) Put back in place the locking plate and lock it with the pin.



5) Place the cam into the hole chosen for lifting: always be sure that all pins are firmly inserted in their position.



6) Connect the lifting system using the supplied shackle.

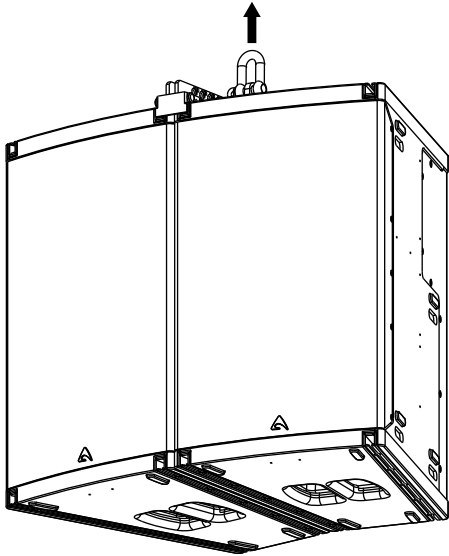




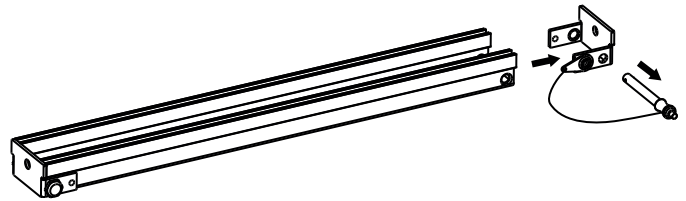
KPTAX1012H

AX1012 HORIZONTAL ARRAY FLY BAR

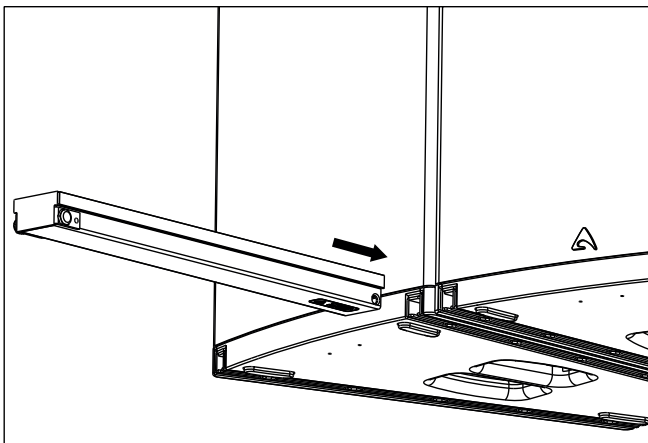
7) Lift the system to an height that allows to insert the coupling bar into the cabinet's bottom.



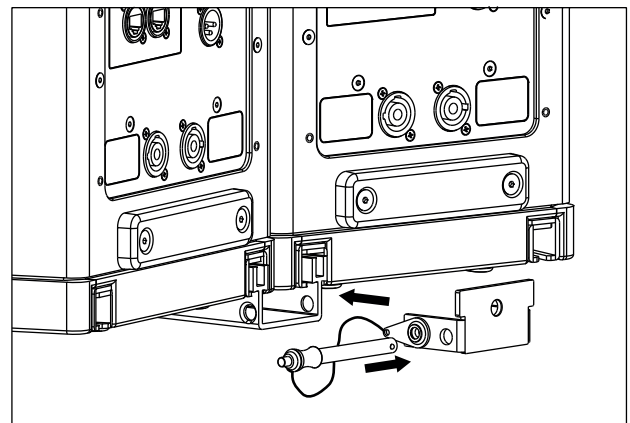
8) Remove the locking plate at the end of the coupling bar.
Note: two KPTAX1012 coupling bars are supplied with each speaker cabinet, only one is required for this array composition.



9) Insert the coupling bar in the rails from the front of the speakers.



10) Put back in place the locking plate and lock it with the pin.



For horizontal arrays made of more than 2 loudspeakers, as a rule of thumb one KPTAX1012H flying bar should be used at most every two or three boxes: see AX1012 User's Manual for further details.

SERVICE

SERVICE

SERVICE

SERVICE

CUSTOMER

BATCH NO.



CONDITIONS OF USE

Proel do not accept any liability for damage caused to third parties due to improper installation, use of non-original spare parts, lack of maintenance, tampering or improper use of this product, including disregard of acceptable and applicable safety standards. Proel strongly recommends that this loudspeaker cabinet be suspended taking into consideration all current National, Federal, State and Local regulations. The product must be installed by qualified personal. Please contact the manufacturer for further information.

PROEL S.p.A. (World Headquarters) - Via alla Ruenia 37/43 - 64027 Sant'Omero (Te) - ITALY
Tel: +39 0861 81241 Fax: +39 0861 887862 www.axiomproaudio.com

Manufactured by PROEL
ITALY
FI-0159-00