

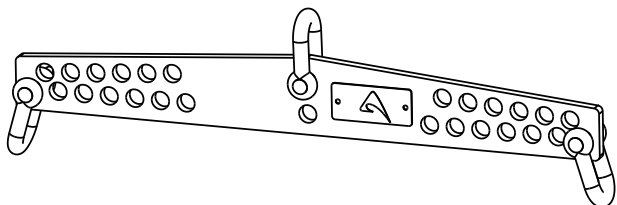


KPTAX1012T

AX1012 HORIZONTAL ARRAY SUSPENSION BAR

SUPPLIED MATERIALS:

- 1x KPTAX1012T
- 3x PLG714 14mm straight shackle



LOAD LIMITS and WARNINGS

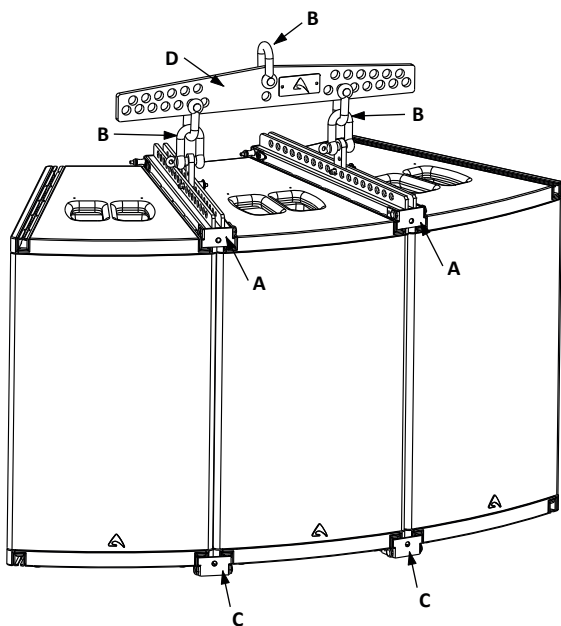
The KPTAX1012T suspension bar is designed to be always linked to two KPTAX1012H fly bars, in order to fly an AX1012 horizontal array made of up to 6 loudspeakers using one single suspension point.

When flying arrays with more than 6 units, it is advisable to use multiple lifting points connected directly to the KPTAX1012H flying bars, without using the KPTAX1012T suspension bar.

Never use KPTAX1012T for suspending an AX1012 vertical array.
See **AX1012 User's Manual** for complete rigging instructions and all the details about the use of KPTAX1012T.
The **MAXIMUM LOAD CAPACITY** of KPTAX1012T is **480 kg (1058.2 lbs.)** with balanced load.

HORIZONTAL ARRAY EXAMPLES

Here below you can see the use of KPTAX1012T suspension bar in horizontal arrays made of from 3 to 6 units. For the instructions about how to assemble the horizontal arrays refer to the **User's Manuals of AX1012 and of KPTAX1012H.**



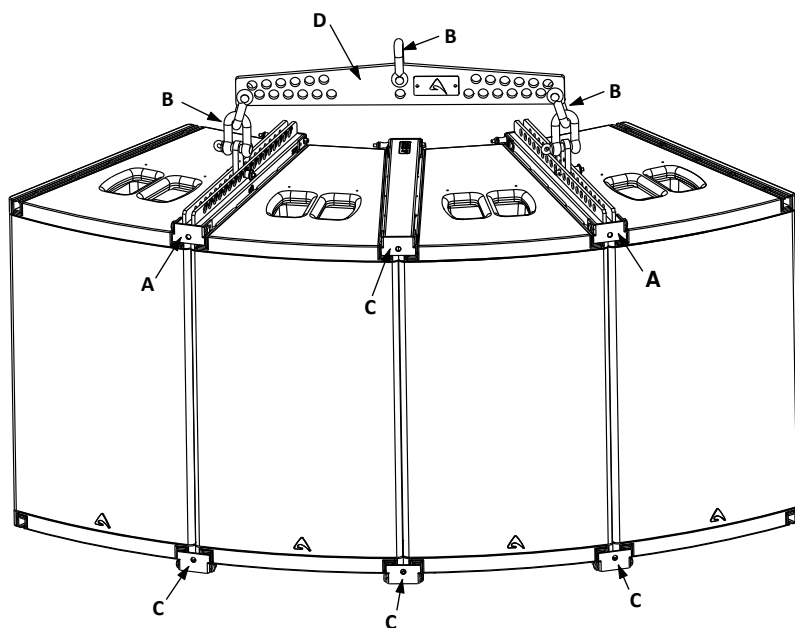
3x AX1012 HOR. ARRAY

60° x 100° coverage

111 Kg total weight

list of rigging material:

- A) 2x KPTAX1012H
- B) 5x PLG714
- C) 2x KPTAX1012
- D) 1x KPTAX1012T



4x AX1012 HOR. ARRAY

80° x 100° coverage

147 Kg total weight

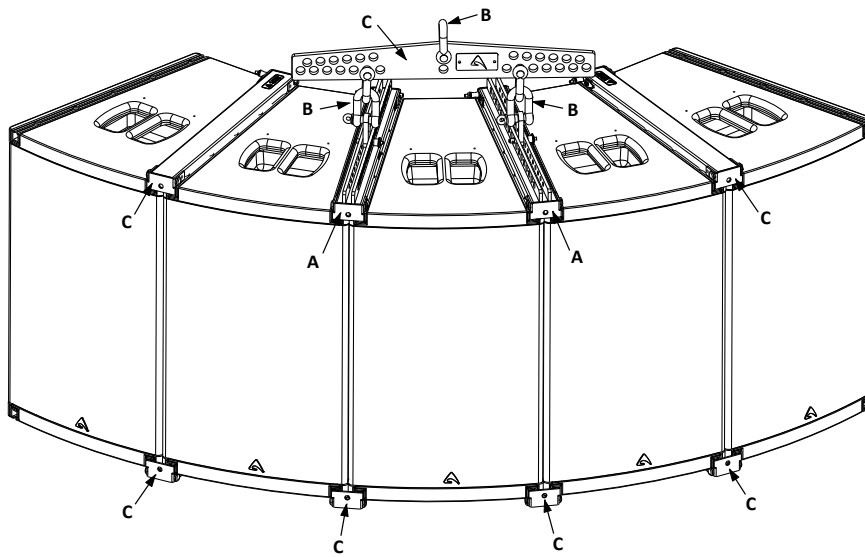
list of rigging material:

- A) 2x KPTAX1012H
- B) 5x PLG714
- C) 4x KPTAX1012
- D) 1x KPTAX1012T

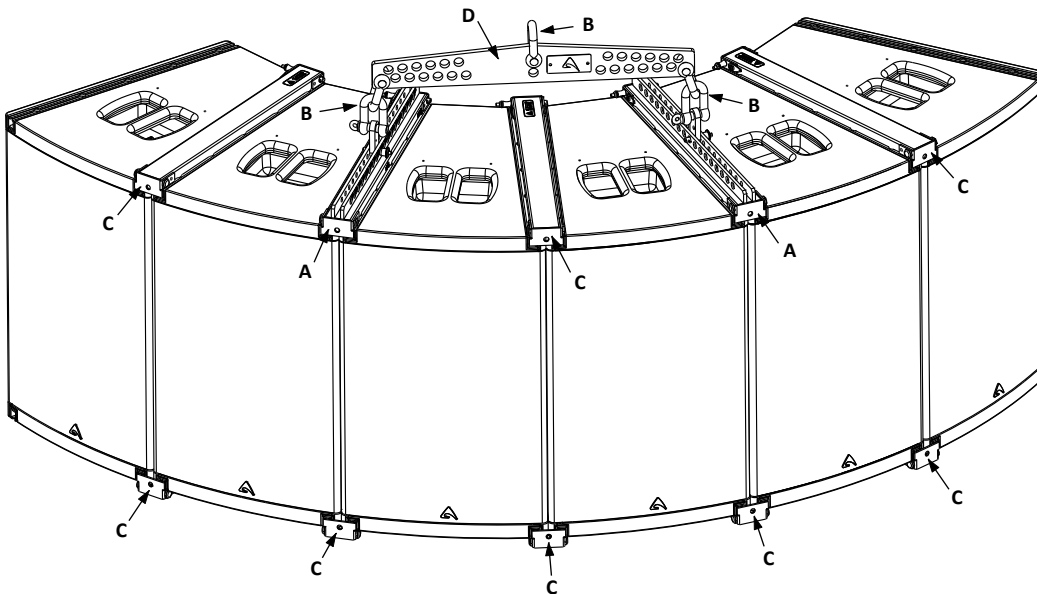


KPTAX1012T

AX1012 HORIZONTAL ARRAY SUSPENSION BAR



5x AX1012 HOR. ARRAY
100° x 100° coverage
183 Kg total weight
 list of rigging material:
 A) 2x KPTAX1012H
 B) 5x PLG714
 C) 6x KPTAX1012
 D) 1x KPTAX1012T



6x AX1012 HOR. ARRAY
120° x 100° coverage
217 Kg total weight
 list of rigging material:
 A) 2x KPTAX1012H
 B) 5x PLG714
 C) 8x KPTAX1012
 D) 1x KPTAX1012T

SERVICE

SERVICE

SERVICE

SERVICE

CUSTOMER BATCH NO.



CONDITIONS OF USE

Proel do not accept any liability for damage caused to third parties due to improper installation, use of non-original spare parts, lack of maintenance, tampering or improper use of this product, including disregard of acceptable and applicable safety standards. Proel strongly recommends that this loudspeaker cabinet be suspended taking into consideration all current National, Federal, State and Local regulations. The product must be installed by qualified personal. Please contact the manufacturer for further information.

PROEL S.p.A. (World Headquarters) - Via alla Ruenia 37/43 - 64027 Sant'Omero (Te) - ITALY
 Tel: +39 0861 81241 Fax: +39 0861 887862 www.axiomproaudio.com

Manufactured by PROEL
 ITALY
FI-0160-00