

KPTAX1012V

AX1012 VERTICAL ARRAY FLY BAR

SUPPLIED

MATERIALS:

1x KPTAX1012V
1x PLG714 14mm
straight shackle

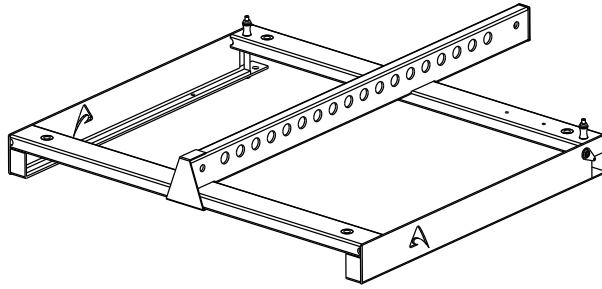
SPARE PARTS:

94SPI85770 8x63 mm
Locking Pin

OPTIONAL

ACCESSORY:

AXFEETKIT Kit of 6pcs
BOARDACF01 M10 foot
for stacked installation



LOAD LIMITS and WARNINGS

Up to four AX1012 cabinets are allowed to be suspended from a single KPTAX1012V fly bar.

For stacked installation on floor do not exceed three cabinets for each KPTAX1012V fly bar. Use always the KPTAX1012V fly bar with KPTAX1012 coupling bars to the sides of the array.

Never use KPTAX1012V for suspending an AX1012 horizontal array.

See **AX1012 User's Manual** for complete rigging instructions and all the details about the use of KPTAX1012V.

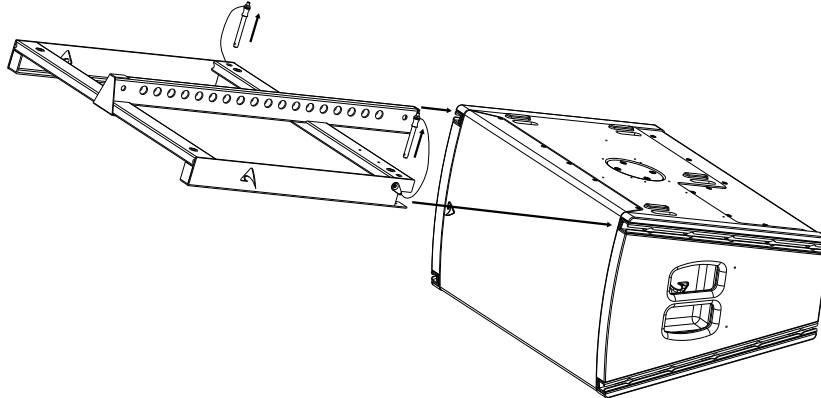
The **MAXIMUM LOAD CAPACITY** of KPTAX1012V is **595 kg (1311.7 lbs.)** with balanced load.

ASSEMBLING INSTRUCTIONS

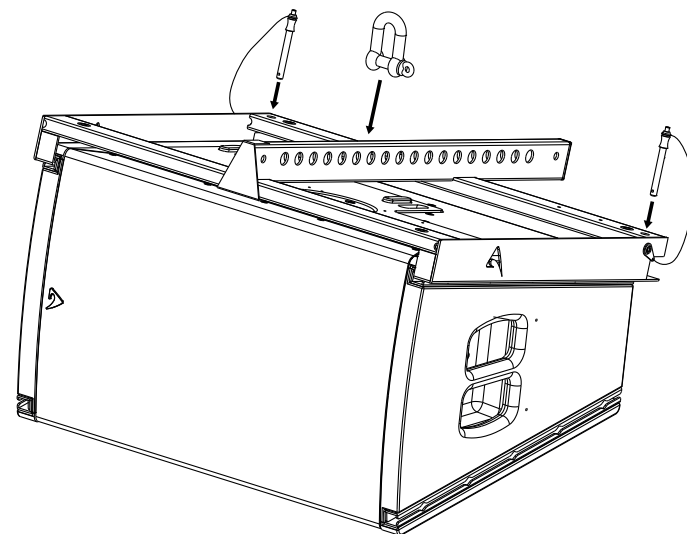
Follow the sequence below to assemble up to four AX1012 units into a vertical array. The first step before lifting up the system is to assemble the fly bar to the first box. Be careful to insert properly all the bars and their locking pins, with the shackle in the right hole as specified by the aiming software. When lifting and releasing the system, always proceed slowly and gradually step by step, being careful to correctly assemble all the rigging hardware and to avoid endangering yourself and your hands from being crushed

The KPTAX1012V fly bar can be used also for down firing applications and for stacked installations (optional BOARDACF01 are needed).

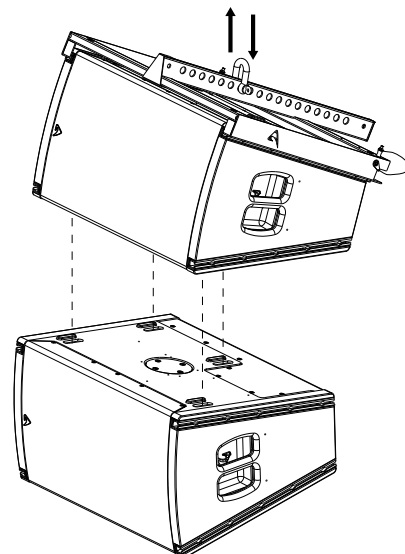
1) Remove the pins at the end of the flying bar and insert the flying bar into the rails of the first box.



2) Put back in place the pins in their hole, making sure that they are inserted correctly. Fix the shackle in the chosen hole and link the lifting system.



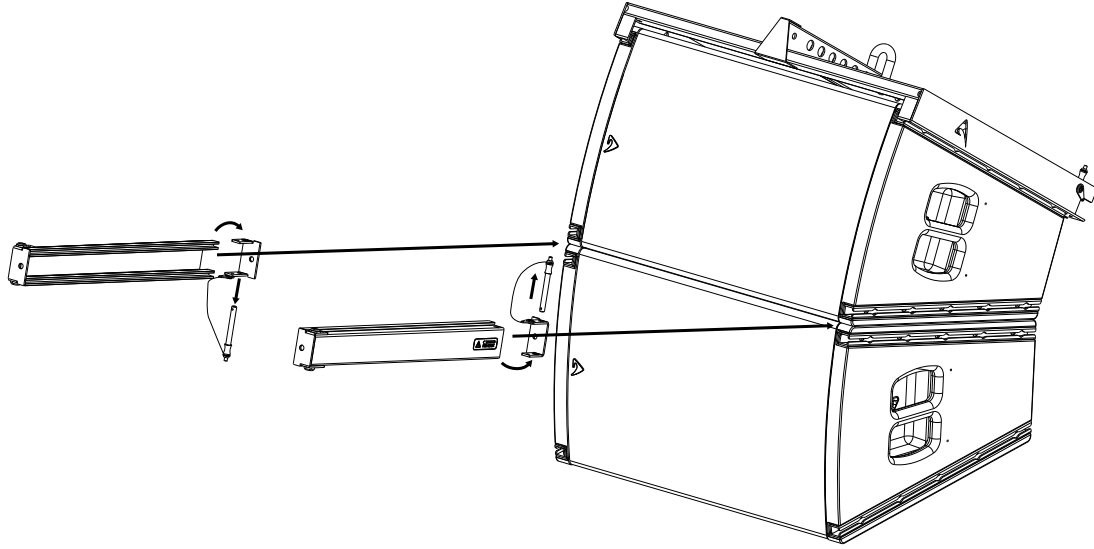
3) Lift the first box, place the second box on the floor just underneath the first one. Let down slowly the first box over the second one, aligning the bumpers and the slots of the two loudspeakers. Note: a proper wedge placed between the cabinet to be linked and the floor can be useful.



KPTAX1012V

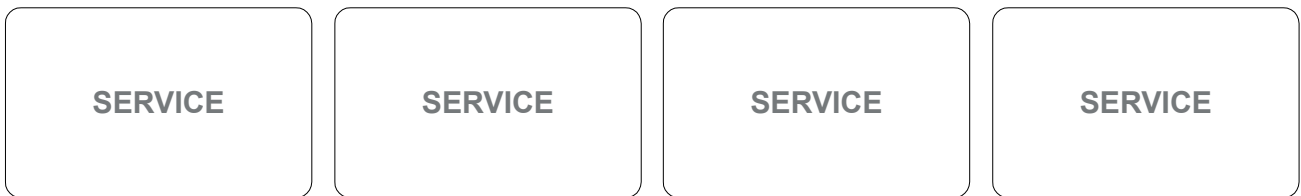
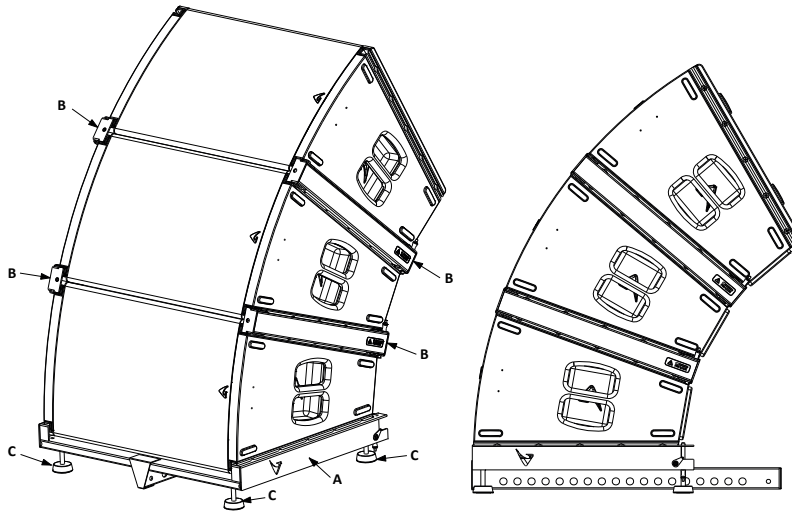
AX1012 VERTICAL ARRAY FLY BAR

4) Link the first box to the second box using two coupling bars: remove the pins and the locking plates and insert the bars into the cabinet rails from the front. Be sure that all hardware is firmly fixed before lifting the system and proceeding to link the third and fourth boxes.



STACKED SYSTEMS

For the stack configuration you must use four optional BOARDACF01 (C) feet and the fly bar must be installed upside down to the ground. The ground where the KPTAX1012V (A) flying bar serving as ground support is placed must be absolutely stable and compact. Adjust the feet so to put the bar in a perfectly horizontal position and always secure the system against movement and possible tipping over. A maximum of 3 x AX1012A cabinets are allowed for each KPTAX1012V and always be sure that all coupling bars KPTAX1012 (B) are firmly fixed.



CUSTOMER BATCH NO.



CONDITIONS OF USE

Proel do not accept any liability for damage caused to third parties due to improper installation, use of non-original spare parts, lack of maintenance, tampering or improper use of this product, including disregard of acceptable and applicable safety standards. Proel strongly recommends that this loudspeaker cabinet be suspended taking into consideration all current National, Federal, State and Local regulations. The product must be installed by qualified personal. Please contact the manufacturer for further information.

PROEL S.p.A. (World Headquarters) - Via alla Ruenia 37/43 - 64027 Sant'Omero (Te) - ITALY
Tel: +39 0861 81241 Fax: +39 0861 887862 www.axiomproaudio.com