

Supplied materials:

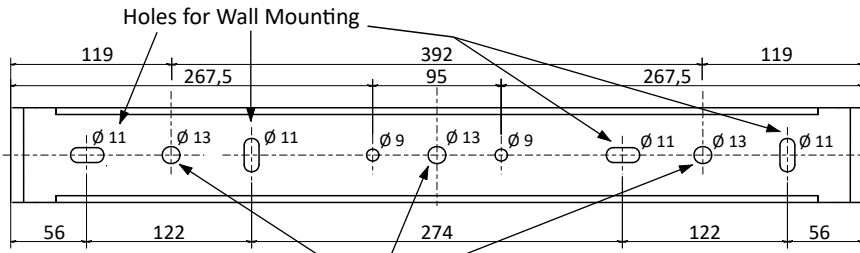
1x C-SHAPE bracket

2x Steering plates

4x M10x20mm hex socket head screws (a)

2x M8x8mm hex socket head screws (b)

2x M8x12mm threaded knobs (c)



M13 TRUSS CLAMP
PROEL CODE: PLH300
(OPTIONAL)



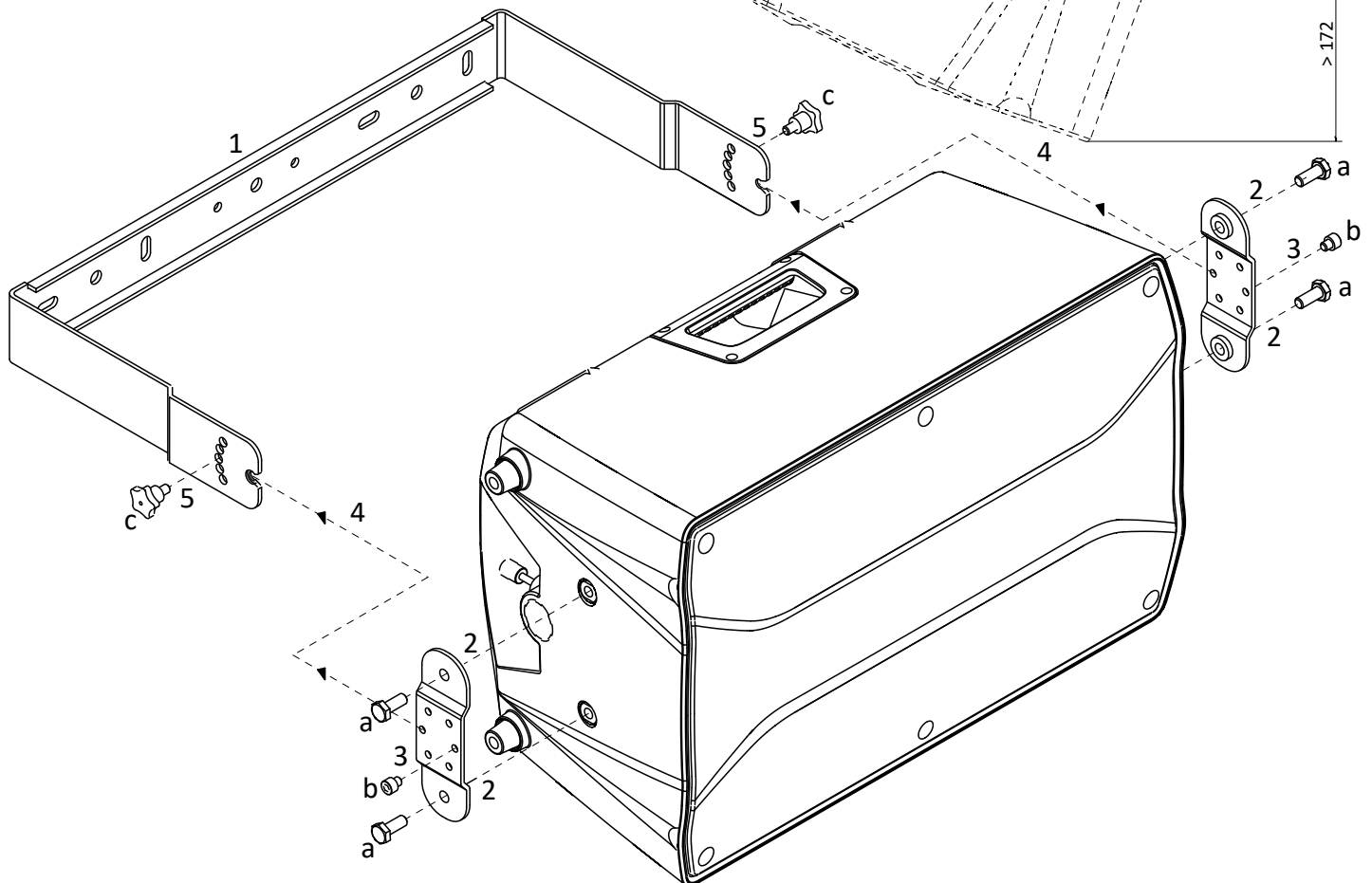
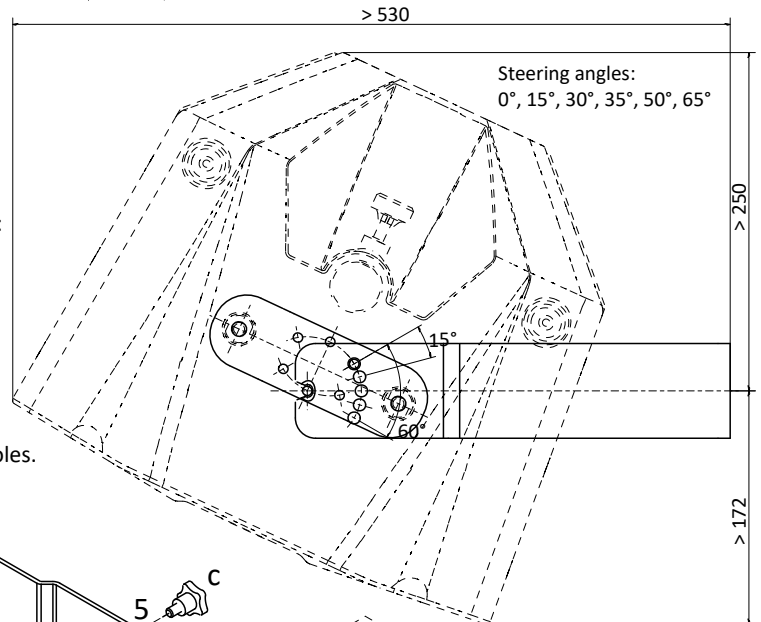
Note:
use at least 2 clamps

Holes for TRUSS CLAMP

all dimensions are in mm

For installing the speaker using the "C" bracket follow these instructions:

- 1) Install the "C" bracket to the wall or to the truss.
- 2) Mount the two steering plates on the top and bottom of the loudspeaker using the screws (a).
- 3) Screw in the screws (b) into the pivot holes leaving their heads 4mm out the brackets.
- 4) Carefully put the loudspeaker into the "C" bracket then tighten the screws (b) to fix it to the "C" bracket.
- 5) Aim the loudspeaker and tighten the screw-knobs (c) in the desired holes.



! CONDITIONS OF USE

Proel does not accept any liability for damage caused to third parties due to improper installation, use of non-original spare parts, lack of maintenance, tampering or improper use of this product, including disregard of acceptable and applicable safety standards. Proel strongly recommends that this loudspeaker cabinet be suspended taking into consideration all current local regulations. The product must be installed by qualified personal. Please contact the manufacturer for further information.

! WARNINGS

- Use the C-Shape bracket exclusively for FL120A/FL120P model.
- For wall or ceiling mounting use exclusively adequate fixings to hold up at least ten times the total weight of the speaker plus the bracket, using at least two holes for double safety.
- Do not suspend speakers from plasterboard or other light walls or ceilings of any material.