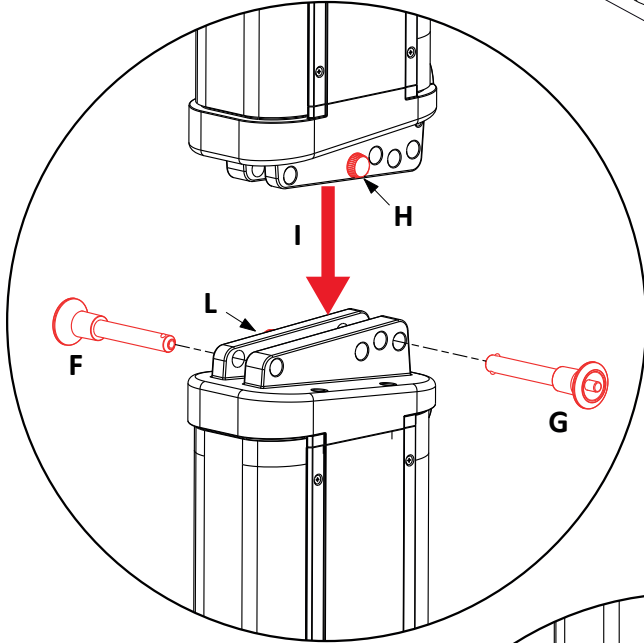
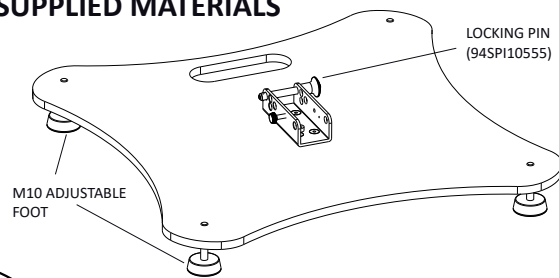


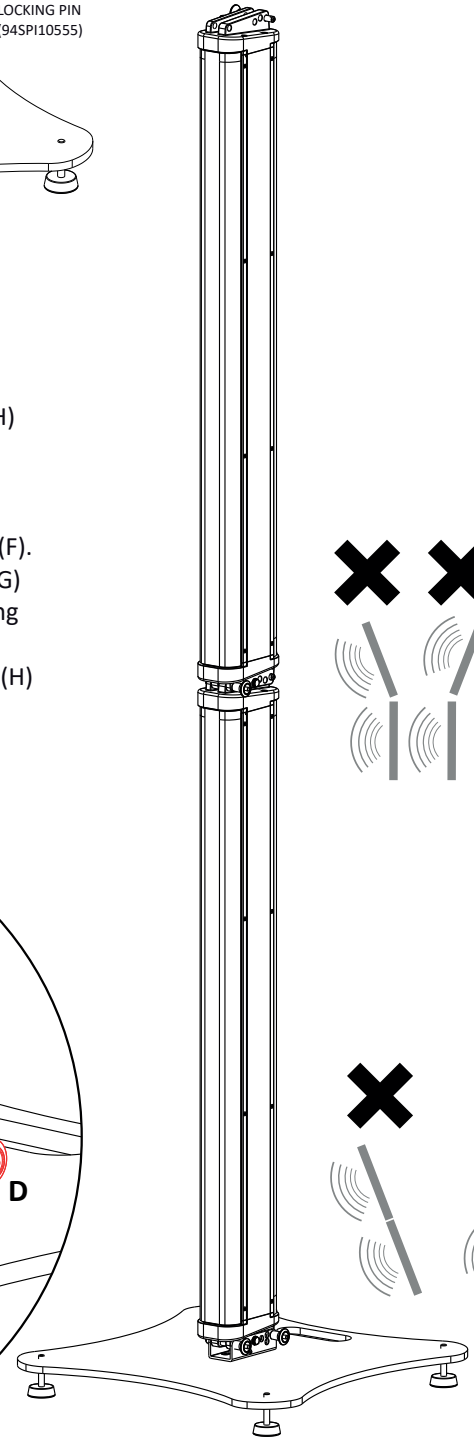
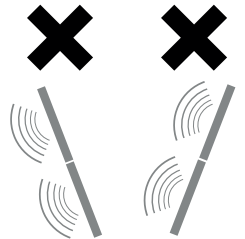
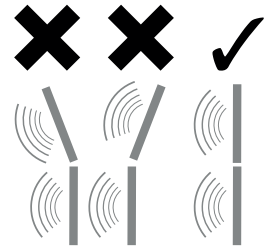
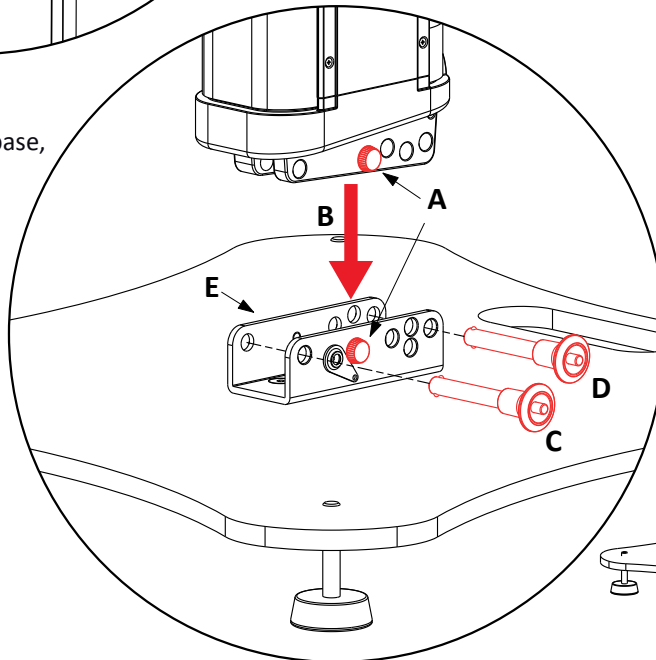
Check AX16CL/AX8CL User's Manual for additional instructions and installation examples.

SUPPLIED MATERIALS



- 6 - Loosen the knobs (H) and (L).
- 7 - Place the second column (I).
- 8 - Insert the front pin (F).
- 9 - Insert the rear pin (G) in the desired aiming position.
- 10 - Tighten the knobs (H) and (L).

- 1 - Remove the knob (A) from column and screw it in the base, loosen the knob (E).
- 2 - Place the first column (B).
- 3 - Insert the front pin (C).
- 4 - Insert the rear pin (D) in the desired aiming position.
- 5 - Tighten the knobs (A) and (E).



CONDITIONS OF USE

Proel do not accept any liability for damage caused to third parties due to improper installation, use of non-original spare parts, lack of maintenance, tampering or improper use of this product, including disregard of acceptable and applicable safety standards. Proel strongly recommends that this loudspeaker cabinet be suspended taking into consideration all current National, Federal, State and Local regulations. The product must be installed by qualified personnel only. Please contact the manufacturer for further information.

WARNINGS:

- The ground where the KPSTANDAX16CL floor stand is placed needs to be stable and compact.
- Adjust the feet so to put the KPSTANDAX16CL perfectly horizontal. Use a spirit level to obtain the best result.
- Always secure ground stacked setups against movement and possible tipping over.
- A maximum of 2 x AX16CL or 4 x AX8CL or 1x AX16CL + 2x AX8CL speakers are allowed to be installed over a KPSTANDAX16CL serving as ground support.
- When 2 column units are stacked both must be setup with 0° aiming.

