



## KEY FEATURES

- High power compact subwoofer
- 18" woofer, 4" voice coil
- Water repellent cone
- Heavy duty wheels
- Pole mount socket

## APPLICATIONS

- Corporate and A/V
- Live music venues
- Nightclubs and bars
- House of Worship

## TECHNICAL SPECIFICATIONS

### SYSTEM

System's Acoustic Principle	Direct radiation, vented
Frequency Response ( $\pm 3$ dB)	36 Hz – 100 Hz (processed)
Nominal Impedance	8 ohm
Sensitivity (1.41V @ 1m, 2Pi)	98 dB SPL
Maximum (peak) Output @ 1m	132 dB SPL

### TRANSDUCERS

Type	One 18" (457mm) LF driver, 4" (100mm) voice coil, 8 $\Omega$
Cone	High stiffness, water repellent, glass fibre reinforced cone
Voice Coil Type	Flux Demodulating Ring VC
Suspension	Double Centering Spider Suspension

### INPUT CONNECTIONS

Connector Type	Neutrik® speakON™ NL4MP x 2
Input Wiring	Pin 1+/-; (Pin 2+/- pass through)

### POWER HANDLING

Continuous AES Pink Noise Power	1200 W
Program Power	2400 W
Peak Power	7000 W

### POWER COMPRESSION

@ -10dB Power (180 W)	0.7 dB
@ -3dB Power (900 W)	1.5 dB
@ 0dB Power (1800 W)	2.2 dB

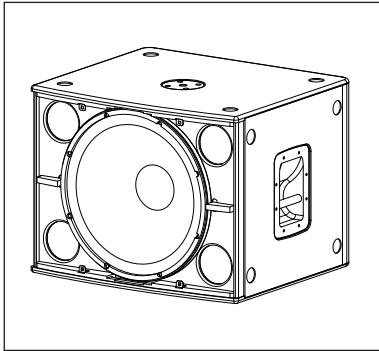
### ENCLOSURE & CONSTRUCTION

Dimensions (H x W x D)	650 mm (25.6") x 500 mm (19.7") x 564 mm (22.2") / 673 mm (26.5") including wheels
Enclosure material	15mm, reinforced phenolic birch plywood
Paint	High resistance, black or white water based paint
Wheels	4 x 80mm $\varnothing$ Polyurethane Wheels
Transport	2 handles
Net Weight	40 kg (88.2 lbs)

### DESCRIPTION

The SW18P is a compact and powerful subwoofer that provides extended low frequency response for specific models in the ED series of high performance point source loudspeakers, and designed for use in live music venues, nightclubs, bars, houses of worship, and for corporate and AV applications.

The 18" low frequency driver is equipped with a high power 18" (460mm) transducer capable of long excursion (up to 30mm peak to peak), controlled by a high stiffness Double Silicon Spider as a centering suspension that maintains linear travel even under high output levels. The high strength (BL<sup>2</sup>/Re) motor structure features optimised symmetry and excursion controlled by the Inner Flux Demodulating Ring. The robust copper 100mm (4") voice coil is wound in two different layers both outside and inside the coil support, thereby doubling the coil surface exposed to air cooling and consequently improving the long term thermal capacity of the loudspeaker. The cone is made of very high stiffness glass fiber reinforced paper, featuring also invisible water repellent treatment.



The 15mm phenolic birch plywood cabinet is provided with a M20 pole mount socket to allow two-way ED series loudspeakers to be mounted above on standard speaker poles. Recessed handles are provided for easy lifting and handling, and the included polyurethane wheels aid transportation, while stacking feet and matching recesses enable secure ground stacks. Two Neutrik® speakON™ NL4 connectors provide input and link connections.

