



USER MANUAL

SW18P passive subwoofer

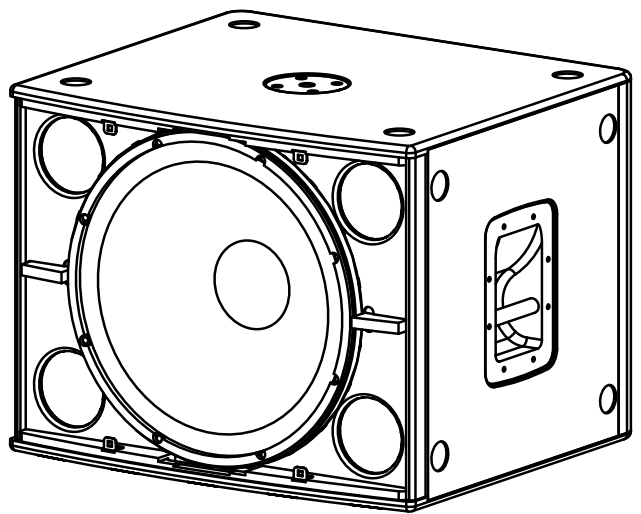
KEY FEATURES

- High power compact subwoofer
- 18" woofer, 4" voice coil
- Water repellent cone
- Pole mount socket
- Heavy duty wheels

INTRODUCTION

The SW18P is a high-power compact subwoofer that provides extended low frequency response for specific models in the ED series of high performance point source loudspeakers. It is suitable for the use in live music venues, nightclubs, bars, houses of worship and for corporate and A/V applications. The SW18P subwoofer system is equipped with a high power 18" (460mm) transducer capable of long excursion (up to 30mm peak-to-peak), controlled by high stiffness Double Silicon Spider as centering suspension that maintains linear voice coil travel even at high output levels. The motor structure features high strength (BL²/Re) with optimized symmetry and excursion controlled by Inner Flux Demodulating Ring. The robust copper 100mm (4") voice coil is wound in two different layers both outside and inside the coil support, then doubling the coil surface exposed to air cooling and consequently improving the long term thermal capacity of the loudspeaker. Cones are made of very high-stiffness glass fiber reinforced paper, featuring also invisible water repellent treatment.

The 15mm phenolic birch plywood cabinet is provided with an M20 pole mount socket to allow two-way ED series loudspeakers to be mounted above on a speaker pole. Recessed handles are provided for easy lifting and handling and the included polyurethane wheels aid transportation, while stacking feet and matching recesses enable secure ground stacks. Two Neutrik® speakON™ NL4 connectors provide input and link connections.



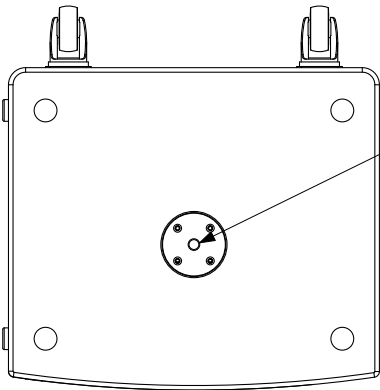
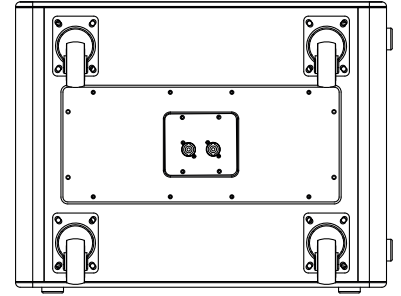
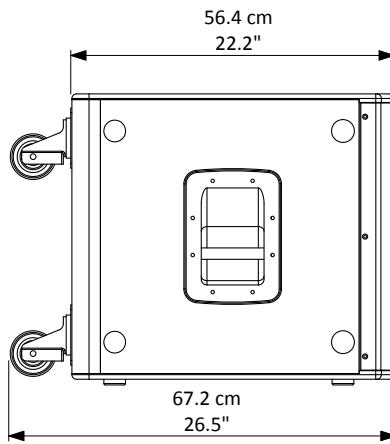
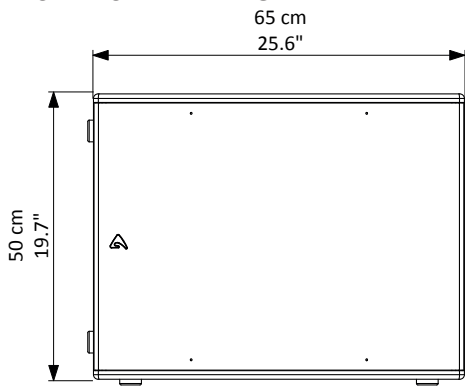
TECHNICAL SPECIFICATION

Acoustical		Connectors	
System type	Bass-reflex	Connector Type	Neutrik® Speakon® NL4 x 2
Transducer	18" (460 mm), 4" (100 mm) VC 8 ohm, High stiffness, water repellent, glass fibre reinforced cone Flux Demodulating Ring VC Double Centering Spider Suspension	Input Wiring	Pin 1+/1-; (Pin 2+/2- pass thru)
Frequency response (±3 dB)	36 Hz – 100 Hz (Processed)	Mechanical	
Sensitivity (1.41V @ 1m, 2Pi)	98 dB	Width	650 mm (25.6")
Maximum Peak SPL @ 1m	132 dB	Height	500 mm (19.7")
Electrical		Depth	564 mm (22.2")
Nominal Impedance	8 Ω	Depth Including Wheels	672 mm (26.5")
Minimum Impedance	6.3 Ω @ 36 Hz	Construction	15 mm Phenolic Birch Plywood
Power Handling Continuous*	1200 W	Paint	Black textured paint (or White)
Power Handling Program	2400 W	Wheels	4 heavy-load 80 mm ø
Power Handling Peak	7000 W	Transport	2 handles
Power Compression	@ -10 dB Power (240 W) = 0.7 dB @ -3 dB Power (1200 W) = 1.5 dB @ 0 dB Power (2400 W) = 2.2 dB	Net Weight	40 Kg (88.2 lbs.)

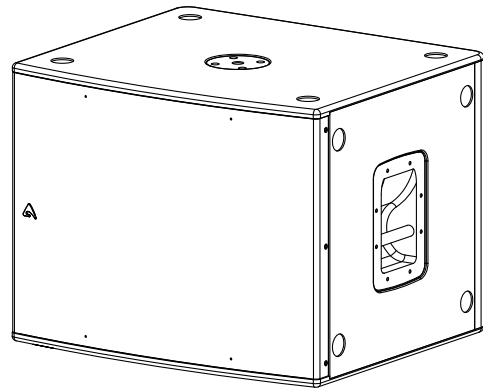
* AES Pink Noise Power



MECHANICAL DRAWING



M20 Pole Adaptor



OPTIONAL ACCESSORIES

NL4FX Neutrik Speakon® PLUG

see <http://www.axiomproaudio.com/> for detailed description and other available accessories.

SPARE PARTS

AC102GS 80 mm Swivel castor

AC115DN Black steel handle

98NEOS18SW8 18" woofer - 4" VC - 8 ohm

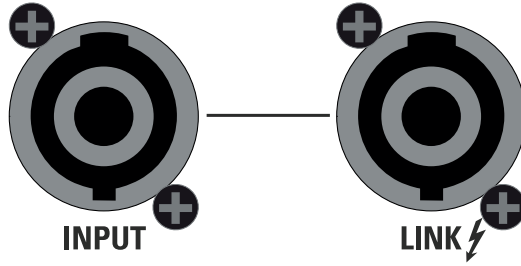
NL4MP Neutrik Speakon® panel socket



REAR PANEL

INPUT - Power input for the external amplifier. The SW18P does not include a passive crossover for filtering the signal. The connections are the following:

INPUT - LINK	
NL4 pin number	internal connection
1+	+
1-	-
2+	none (pass thru)
2-	none (pass thru)



LINK - Power output in parallel with the INPUT socket for connecting the unit to another speaker. The number of SW18P cabinets that can be connected in parallel depends on the amplifier load capacity.



LIMITED WARRANTY

Proel warrants all materials, workmanship and proper operation of this product for a period of two years from the original date of purchase. If any defects are found in the materials or workmanship or if the product fails to function properly during the applicable warranty period, the owner should inform about these defects the dealer or the distributor, providing receipt or invoice of date of purchase and defect detailed description. This warranty does not extend to damage resulting from improper installation, misuse, neglect or abuse. Proel S.p.A. will verify damage on returned units, and when the unit has been properly used and warranty is still valid, then the unit will be replaced or repaired. Proel S.p.A. is not responsible for any "direct damage" or "indirect damage" caused by product defectiveness.

- This unit package has been submitted to ISTA 1A integrity tests. We suggest you control the unit conditions immediately after unpacking it.
- If any damage is found, immediately advise the dealer. Keep all unit packaging parts to allow inspection.
- Proel is not responsible for any damage that occurs during shipment.
- Products are sold "delivered ex warehouse" and shipment is at charge and risk of the buyer.
- Possible damages to unit should be immediately notified to forwarder. Each complaint for package tampered with should be done within eight days from product receipt.

SAFETY INSTRUCTIONS

- To reduce the risk, close supervision is necessary when the product is used near children.
- Protect the apparatus from atmospheric agents and keep it away from water, rain and high humidity places.
- This product should be site away from heat sources such as radiators, lamps and any other device that generate heat.
- This product should be located so that its location or position does not interfere with its proper ventilation and heating dissipation.
- Care should be taken so that objects and liquids do not go inside the product.
- The product should be connected to a power supply mains line only of the type described on the operating instructions or as marked on the product. Connect the apparatus to a power supply using only power cord included making always sure it is in good conditions.
- WARNING: The mains plug is used as disconnect device, the disconnect device shall remain readily operable.
- Do not cancel the safety feature assured by means of a polarized line plug (one blade wider than the other) or with a earth connection.
- Make sure that power supply mains line has a proper earth connection.
- Power supply cord should be unplugged from the outlet during strong thunderstorm or when left unused for a long period of time.

CE CONFORMITY

Proel products comply with directive 2014/30/UE (EMC), as stated in EN 55103-1 and EN 55103-2 standards and with directive 2014/35/UE (LVD), as stated in EN 60065 standard.

PROEL S.p.A. (World Headquarter) - Via alla Ruenia 37/43 - 64027 Sant'Omero (Te) - ITALY
Tel: +39 0861 81241 Fax: +39 0861 887862 www.axiomproaudio.com

