



USER MANUAL

SW210P

low profile passive subwoofer

KEY FEATURES

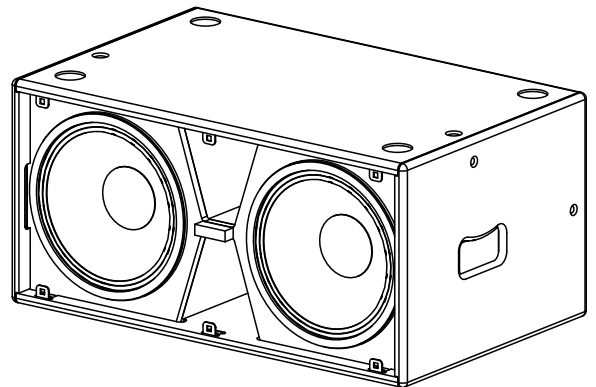
- High power low profile subwoofer
- Dual 10" woofers
- Water repellent cones
- M10 flying points
- Black or white finish

INTRODUCTION

The SW210P is a compact, powerful, low-profile subwoofer that provides extended low frequency response for specific models in the ED series of high performance point source loudspeakers. Due to its low profile is ideal for corporate and A/V applications and for permanent installations in live music venues, nightclubs and bars, house of worship where subs may have to be fitted under seating or in confined spaces.

The 10" low frequency transducers are equipped with waterproof cones and this feature, together with the moisture resistant cabinet, makes the SW210P suitable for use in light duty outdoor applications. The transducer technology combines 3" sandwich voice coil with fiberglass former, progressive wave Konex spider, cloth surround with DAR technology, high excursion ferrite magnet circuit with demodulating ring, ventilated voice coil and magnet to reduce power compression and to provide always very high performances.

Recessed handles are provided for easy lifting and handing, and the included polyurethane wheels aid transportation, while stacking feet and matching recesses enable secure ground stacks. Four M10 flying points are also provided to allow suspension in permanent installations. Two Neutrik® speakON™ NL4 connectors provide input and link connections.



TECHNICAL SPECIFICATION

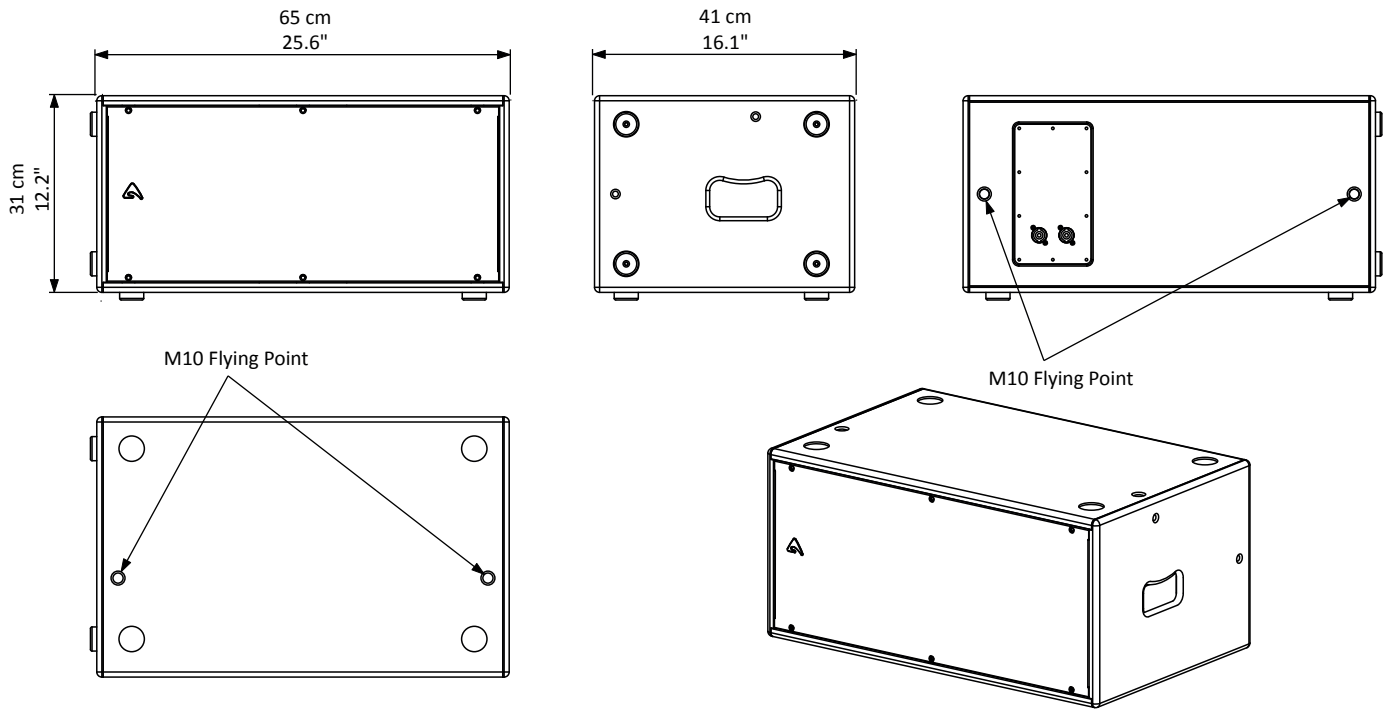
Acoustical		Connectors	
System type	Direct radiation, vented	Connector Type	Neutrik® Speakon® NL4 x 2
Transducer	Two 10" (269 mm), 3" (75 mm) VC, Progressive wave Konex spider, Cloth surround with DAR technology, Autoclave waterproof cone treatment.	Input Wiring	LF1 = Pin 1+/1-; LF2 = Pin 2+/2-
		Mechanical	
Frequency response (±3 dB)	45 Hz - 120 Hz (Processed)	Width	650 mm (25.6")
Sensitivity (1.41V @ 1m, 2Pi)	97 dBspl	Height	310 mm (12.2")
Maximum Peak SPL @ 1m	130 dBspl	Depth	410 mm (16.1")
Electrical		Construction	15 mm, reinforced Phenolic Birch
Nominal Impedance	8 Ω + 8 Ω	Paint	High resistance, Black or White water based paint
Minimum Impedance	5.13 Ω + 5.13 Ω @ 36 Hz	Flying system	4 x M10 flying points
Power Handling Continuous*	350 W + 350 W	Transport	2 handles
Power Handling Program	700 W + 700 W	Net Weight	30 Kg (66 lbs.)
Power Handling Peak	1200 W + 1200 W		

* AES Pink Noise Power





MECHANICAL DRAWING



OPTIONAL ACCESSORIES

NL4FX Neutrik Speakon® PLUG

see <http://www.axiomproaudio.com/> for detailed description and other available accessories.

SPARE PARTS

98SW210WZ8 10" woofer - 3" VC - 8 ohm

NL4MP Neutrik Speakon® panel socket

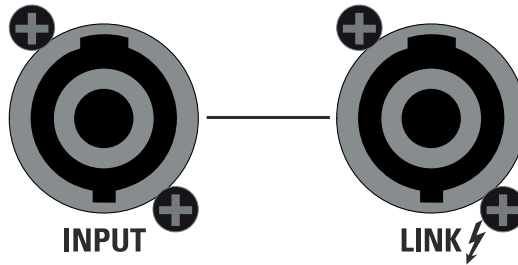


REAR PANEL

INPUT - Power input for the external amplifier. The SW210P does not include a passive crossover for filtering the signal. The connections are the following:

INPUT - LINK	
NL4 pin number	internal connection
1+	LF1+
1-	LF1-
2+	LF2+
2-	LF2-

 **WARNING**
To avoid damage, during use
both loudspeakers must be connected



LINK - Power output in parallel with the INPUT socket for connecting the unit to another speaker. The number of SW210P cabinets that can be connected in parallel depends on the amplifier load capacity.



LIMITED WARRANTY

Proel warrants all materials, workmanship and proper operation of this product for a period of two years from the original date of purchase. If any defects are found in the materials or workmanship or if the product fails to function properly during the applicable warranty period, the owner should inform about these defects the dealer or the distributor, providing receipt or invoice of date of purchase and defect detailed description. This warranty does not extend to damage resulting from improper installation, misuse, neglect or abuse. Proel S.p.A. will verify damage on returned units, and when the unit has been properly used and warranty is still valid, then the unit will be replaced or repaired. Proel S.p.A. is not responsible for any "direct damage" or "indirect damage" caused by product defectiveness.

- This unit package has been submitted to ISTA 1A integrity tests. We suggest you control the unit conditions immediately after unpacking it.
- If any damage is found, immediately advise the dealer. Keep all unit packaging parts to allow inspection.
- Proel is not responsible for any damage that occurs during shipment.
- Products are sold "delivered ex warehouse" and shipment is at charge and risk of the buyer.
- Possible damages to unit should be immediately notified to forwarder. Each complaint for package tampered with should be done within eight days from product receipt.

SAFETY INSTRUCTIONS

- To reduce the risk, close supervision is necessary when the product is used near children.
- Protect the apparatus from atmospheric agents and keep it away from water, rain and high humidity places.
- This product should be site away from heat sources such as radiators, lamps and any other device that generate heat.
- This product should be located so that its location or position does not interfere with its proper ventilation and heating dissipation.
- Care should be taken so that objects and liquids do not go inside the product.
- The product should be connected to a power supply mains line only of the type described on the operating instructions or as marked on the product. Connect the apparatus to a power supply using only power cord included making always sure it is in good conditions.
- **WARNING:** The mains plug is used as disconnect device, the disconnect device shall remain readily operable.
- Do not cancel the safety feature assured by means of a polarized line plug (one blade wider than the other) or with a earth connection.
- Make sure that power supply mains line has a proper earth connection.
- Power supply cord should be unplugged from the outlet during strong thunderstorm or when left unused for a long period of time.

CE CONFORMITY

Proel products comply with directive 2014/30/UE (EMC), as stated in EN 55103-1 and EN 55103-2 standards and with directive 2014/35/UE (LVD), as stated in EN 60065 standard.

PROEL S.p.A. (World Headquarter) - Via alla Ruenia 37/43 - 64027 Sant'Omero (Te) - ITALY
Tel: +39 0861 81241 Fax: +39 0861 887862 www.axiomproaudio.com

