



KEY FEATURES

- Very High Output
- Compact size for a very good output-to-weight ratio
- Manifolded Transmission Line configuration for very fast transient response
- High-strength, water repellent, glass fiber reinforced cones
- Tetracoil® dual voice coil for extended linear response and increased power handling
- 40 bit floating point CORE2 processing with PRONET AX remote control
- Digitally controlled Class D amplifier module with SMPS and PFC

APPLICATIONS

The SW218XAV2 subwoofer is designed to deliver extended low frequency reproduction where very high output is a key requirement, together with well defined deep bass response and fast transient response. The very high output makes it ideal for concert touring and festival applications requiring high levels of low frequency response, such as hard rock and electronic music, and for top level dance music clubs.

SW218XA represents the evolution of SW218XAV2, with which it maintains full electroacoustic and mechanical compatibility.

TECHNICAL SPECIFICATIONS

SYSTEM

System's Acoustic Principle	Manifolded Transmission Line
Frequency Response (± 3 dB)	30 Hz – 92 Hz (Processed)
Maximum Peak SPL @ 1m	143 dB

TRANSDUCERS

Type	Two 18" (460mm), 4" (100mm) VC
Cone	Water repellent cone and epoxy coated plates
Voice Coil Type	100mm (4in) Tetracoil® dual voice coil, equivalent to a single coil diameter larger than 152mm (>6in)
Suspension	Ultra linear suspension behavior

ELECTRICAL

Input Impedance	20 k Ω balanced, 10 k Ω unbalanced
Input Sensitivity	+4dBu / 1.25 V
Signal Processing	CORE2 processing, 40bit floating point SHARC DSP, 24 bit AD/DA converters
Direct access Controls	4 Presets (Standard/InfraSub/Cardioid/ User), Network Termination, GND Link
Remote Controls	PRONET AX control software
Network protocol	CANBUS
Amplifier Type	Class D with SMPS and PFC
Output Power	2000 W + 2000 W
Mains Voltage Range (Vac)	100 - 240 V ~ $\pm 10\%$ 50/60 Hz
IN / OUT Connectors	Neutrik XLR-M / XLR-F
IN / OUT Network Connectors	ETHERCON®(NE8FAV)
Mains Connector	PowerCon TRUE1 (NAC3PX In/Out)
Cooling	Variable speed DC fan

ENCLOSURE & CONSTRUCTION

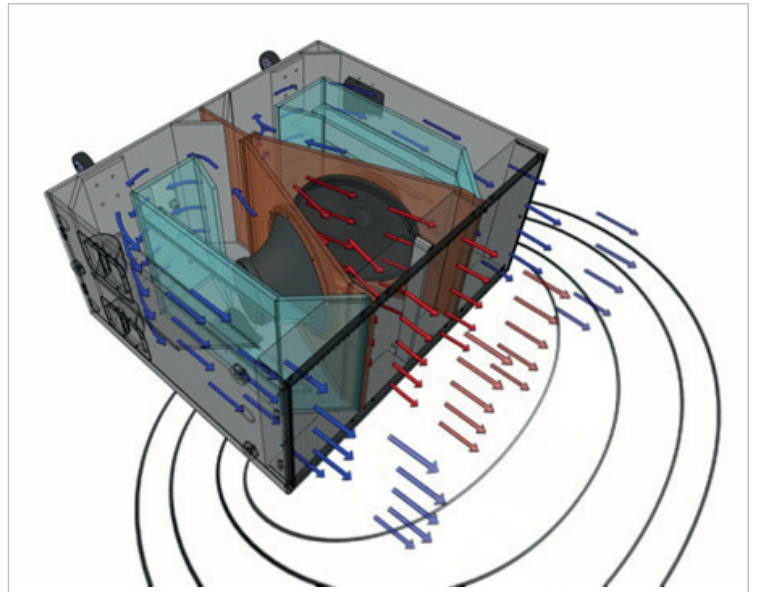
Physical Dimensions	
W x H x D	1215 mm (47.87") x 590 mm (23.24") x 950 mm (37.43")
Depth Including Wheels	1050 mm (41.37")
Enclosure Material	15mm, reinforced phenolic birch
Paint	High resistance, water based paint
Wheels	4 heavy-load 100 mm \varnothing
Net Weight	121.2 Kg (267.2 lbs.)

DESCRIPTION

The SW218XAV2 is a very high SPL powered subwoofer system featuring some of the most advanced technologies for low frequency reproduction. Its unique and innovative design is based on a configuration that can be defined as Manifolded Transmission Line.

It uses manifolding of the front side of the cones to maximize the mutual coupling between the two drivers, while loading the back of the cone with a large-size transmission line that has the function to create a transmission path from the back of the transducers to the front. This innovative configuration does not use any large resonant cavity to load the speaker in order to get the lower octave and this reduces significantly pressure decay time inside the enclosure, with large advantages in terms of definition both at the lowest end and the upper bass. At the same time, it doesn't use very long transmission line paths as well. Its working principle is an

hybrid combination between a short transmission line and an over-damped reflex load. Moreover, the maximization of the mutual coupling between the drivers increase the fastness of the transient response while maximizing the overall energy efficiency as well.



TRANSDUCERS

The SW218XAV2 subwoofer system is equipped with two high power 18" (460mm) transducers capable of very long excursion (up to 30mm peak-to-peak) and featuring a large displacement suspension system.

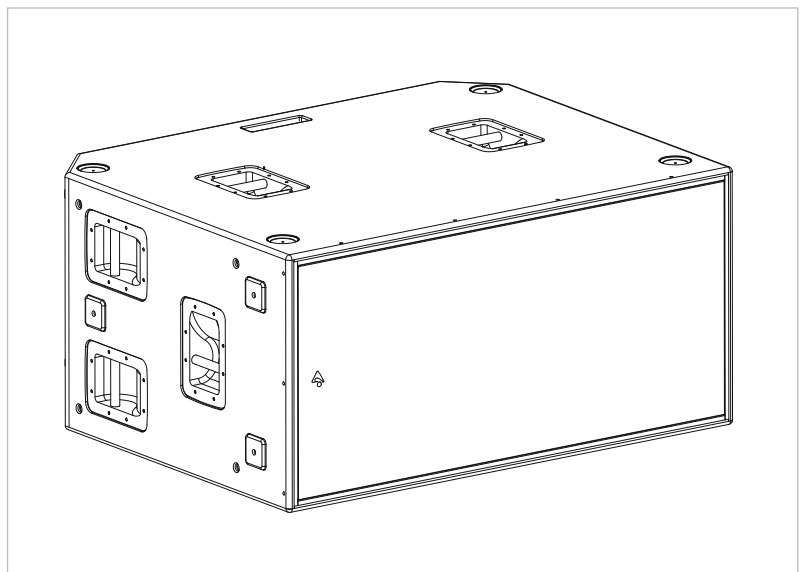
These transducers use Tetracoil technology, where two different, axially separated magnetic gaps and two inside-outside 100mm (4") diameter voice coils are wound on the same former and suspended evenly in the two magnetic gaps. This creates an equivalent voice coil diameter greater than 6", resulting in a larger heat dissipation area for and increased power handling. Additional key advantages of the Tetracoil technology are also minimized distortion and a very symmetric and flat inductance curve.

Cones are made of very high-stiffness fiberglass reinforced paper, featuring also invisible water repellent treatment.

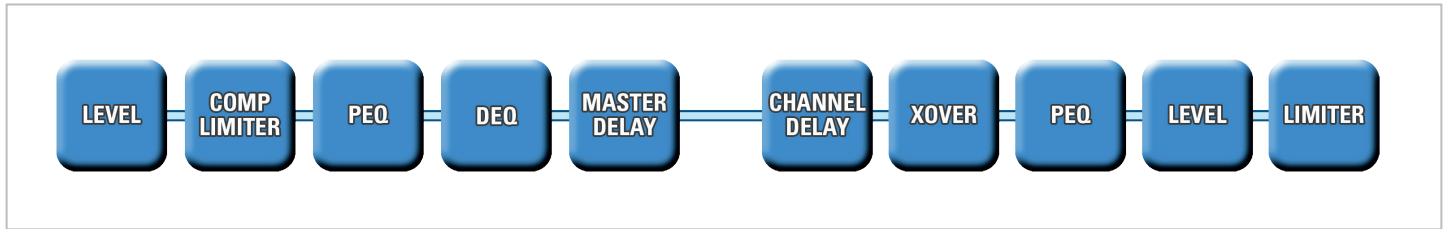
SYSTEM CONCEPT AND SONIC PERFORMANCES

The SW218XAV2 represents an innovative subwoofer design that features unprecedented performances in terms of low frequency definition and "punchy" feeling in the upper bass range.

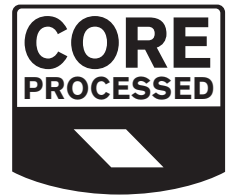
The combination of accuracy in acoustic transient response together with the use of latest technology in transducers linearity, signal processing and power amplifiers allows the SW218XAV2 to deliver unprecedented low frequency reproduction quality with solid deep end, together with very fast and accurate bass response.



SIGNAL PROCESSING and POWER AMPLIFIERS



The system processing is based on the CORE2 DSP platform designed by the PROEL R&D Laboratories using one of the most advanced SHARC DSP for audio application. It features 40bit floating point resolution and top-quality 24bit AD/DA converters, for a perfect signal integrity, a dynamic range in excess of 110dB and a superior sonic performance. Thanks to its massive processing power, the CORE2 platform is capable of providing the most sophisticated algorithms for speaker processing, together with remote control and networking capability.

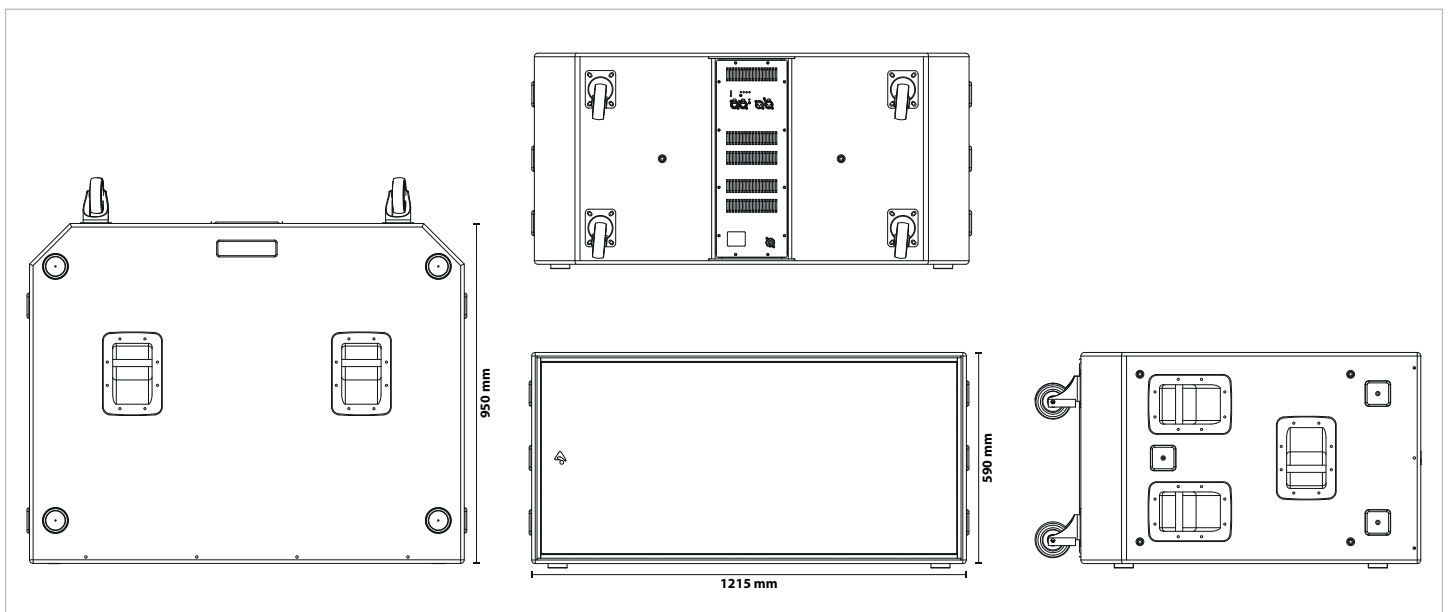


The PRONET AX control software, working on a solid and reliable CANBUS based network protocol, provides an intuitive interface for the remote control of the whole system, with the possibility of eqing, delaying, increasing the protections and monitoring the status of the amplifier.

The SW218XAV2 is powered by a new generation of CLASS D power amplifiers with digitally-controlled SMPS and latest generation single-stage PFC. The innovative technology used for these amplifiers offers performances at the top of the range, such as a superior sound definition at any audio frequency, very high dynamics also for low level signals and very low distortion even at the maximum power. The superior sound quality can be compared with top-of-the-range AB-class analog systems, while the SW218XAV2 power modules feature a higher dynamics, very compact size and light weight and efficiency above 90%.

The power module employed for powering the SW218XAV2 delivers in an ultra-compact package a maximum power of 4000W and features PFC (Power Factor Correction), a technology able to guarantee always the highest level of power regardless of any eventual fluctuations of the power supply.

PHYSICAL DIMENSIONS



POWER MODULE CONTROL & CONNECTION PANEL

