

# D-cerno F-CM

## D-Cerno Flushmount Chairman Microphone Unit



### Description

The D-Cerno F-CM is Televic's microphone panel for basic discussion systems. Its small form factor, housed in an elegant casing, permits a minimalistic integration into any meeting room furniture.

Since the D-Cerno F-CM panel has no integrated speaker, it is intended for use at venues where a room sound system is already installed.

The panel has a screw-lock connector to fit a removable microphone (available in 30, 40, 50 or 70 cm versions).

The system is completely based on digital signal processing. The result is crystal-clear sound and excellent intelligibility. Two cornerstones of any successful meeting.

The system is designed to work out-of-the-box, with hardly any technical expertise required. Wiring is easy: simply connect shielded Cat 5 cables from unit to unit. What's more, there is no need to worry about the IN and OUT port since the unit detects the direction of the signal flow automatically. It makes cabling errors virtually impossible. Both connectors are also in opposite direction to facilitate the cabling.

The system has the added benefit of easy extensibility: increasing or decreasing the number of units is a breeze.

In comparison with the D-Cerno F-DM, the D-Cerno F-CM has two additional buttons: Priority and Next-in-line. The Priority button silences all delegate microphones and allows only the chairperson to speak. It is possible to precede this function by a chime. The Next-in-line button gives the floor to the next speaker in a waiting list of speakers who requested to speak.

The D-Cerno F-CM is compatible with screw-lock D-MIC microphones in 30, 40, 50, 60 or 70 cm.

### Benefits

- » Sleek and discreet design
- » Tactile microphone push button with integrated LED
- » Removable microphone connector: possibility to use different microphone lengths (30, 40, 50, 60, 70, Full Flex)
- » Rounded corners for easy installation

## Features

- » Digital signal processing
- » Shielded microphone, immune to mobile phone interference
- » Microphone On/Off button
- » Loop-through, daisy-chain cabling
- » Patented fail-safe redundancy feature
- » Concealed conference bus connections
- » Bi-color bar indicator
- » Microphone On/Off or Request-to-speak push button with 2 signaling LEDs

## Connectivity

- » 2 digital bus connections (IN/OUT - interchangeable)
- » Screw-lock socket to connect a removable microphone:

D-MIC 30 SL	71.98.0053
D-MIC 40 SL	71.98.0054
D-MIC 50 SL	71.98.0055
D-MIC 60 SL	71.98.0056
D-MIC 70 SL	71.98.0057
D-MIC 40 FF	71.98.0059

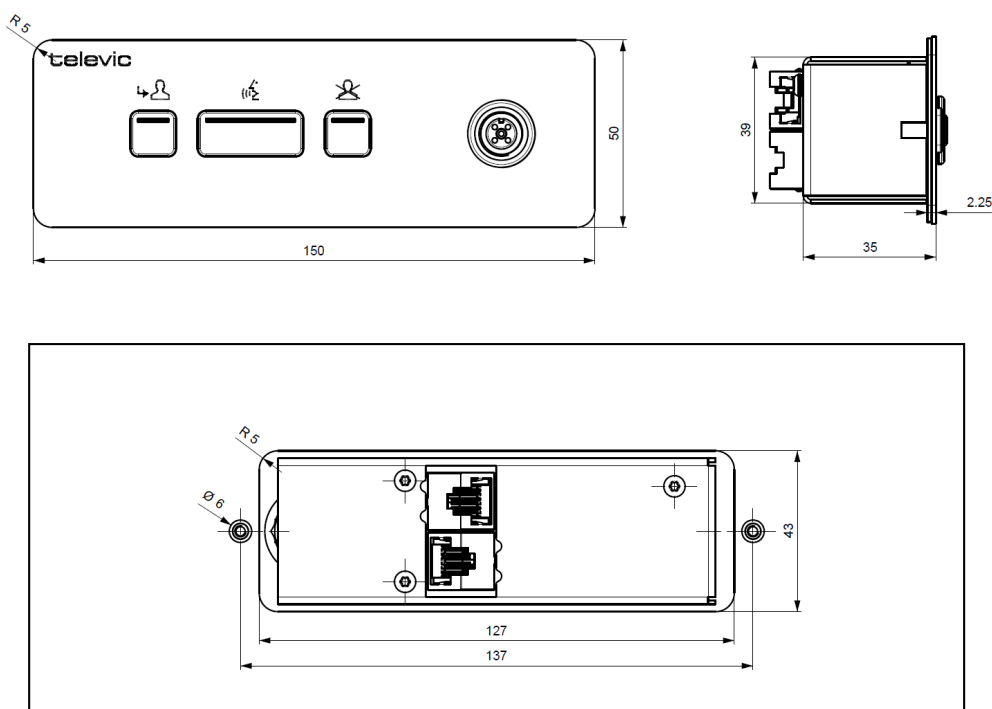
## Specifications

Mechanical	
Material	Steel
Color	Black
Size (mm)	150 x 50 x 46
Size packed (mm)	205 x 85 x 60
Weight	270
Weight packed	325
Electrical	
Power Supply	48 DC, over Cat5 cable
Power consumption	2 W
Audio quality	16 bit digital
Frequency response	25 Hz-15,000 Hz ( $\pm 3$ dB)
Environment	
Operating temperature	5 to 45°C

## Certification

Region	Certification
Europe	CE

## Technical drawings



## Mounting the Flushmount Unit

Creating the cut-out in the table for mounting the flushmount unit

