

# Confidea F-DD Mike

## Confidea Flushmount Delegate Discussion Unit



### Description

The Confidea F-DD Mike is Televic's delegate panel for basic discussion systems, equipped with an integrated speaker. Its small form factor, housed in an elegant casing, permits a minimalistic integration into any meeting room furniture.

The integrated speaker creates a distributed sound field in the meeting room, increasing intelligibility without the need for an additional room sound system.

The panel has a microphone connector to fit the new push-and-lock Mike microphone that reduces setup time. A 3.5 mm jack socket is available to connect headphones or a hearing loop for the hearing impaired. The chairperson version of this panel has additional controls (see Confidea F-CD Mike 71.98.0541).

### Benefits

The Confidea F-DD Mike is a sleek and discreet solution that is perfectly suited to conference rooms without an existing sound system. The ability to connect headphones provides accessibility for the hearing impaired.

The unit is available in a variety of custom colors, sizes and finishes to blend in neatly in any environment. The Confidea F-DD Mike is backed by the Plixus® network and redundant cabling to ensure maximum reliability. Finally, its shielded microphone is immune to mobile phone interference.

### Features

- » Basic discussion function
- » Tactile microphone push button with integrated LED
- » Integrated loudspeaker
- » Rounded corners for easy installation
- » Trademark natural Televic Sound
- » Available in custom colors, sizes, finishes
- » Basic discussion function

### Connectivity

- » Push & Lock socket to connect a removable microphone:
  - Mike LPM 71.98.0091
  - Mike PLM301F 71.98.0093
  - Mike PLM401F 71.98.0094
  - Mike PLM502F 71.98.0095
  - Mike PLM602F 71.98.0096
  - Mike PLM402F 71.98.0098
  - Mike PLM40FF 71.98.0099
- » Two RJ 45 connectors for loop through cabling
- » 3.5 mm stereo jack socket for headphones
- » Plixus-powered

### Software

To fully configure, manage, and use the unit, Televic's CoCon management software is required. The following standard licenses are available:

- » CoCon Discussion 71.98.1101
- » CoCon Signage 71.98.1102

## Certification

Region	Certification
Europe	CE

## Specifications

Mechanical	
Material	Steel
Color	Tiger coating Carbon 01
Size (mm)	180 (w) × 80 (h) × 70 (d)
Size packed (mm)	235 (w) × 120 (h) × 85 (d)
Weight	640 g
Weight packed	740 g
Electrical	
Voltage	48 VDC
Current consumption	3.5 W

### Speaker Output

Maximum output power	> 1 W
Frequency response	200-20,000 Hz
Dynamic range	> 90 dB
THD @ nominal level	< 0.1%
Load impedance	8 Ω

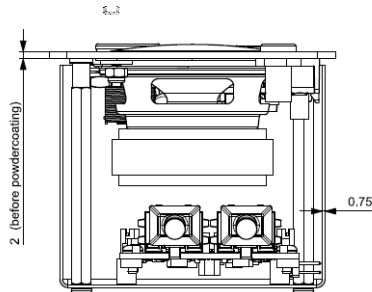
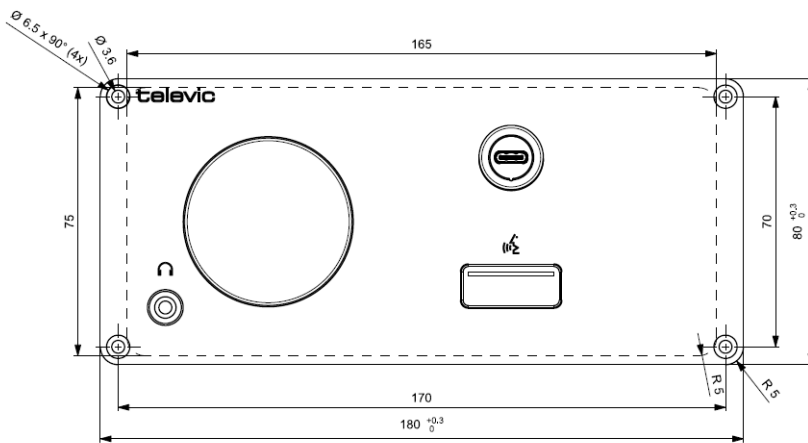
### Headphone Output

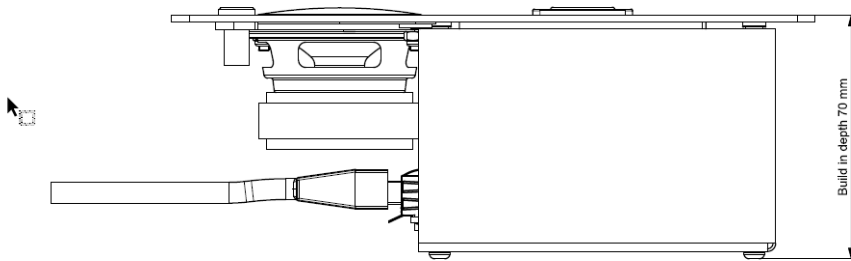
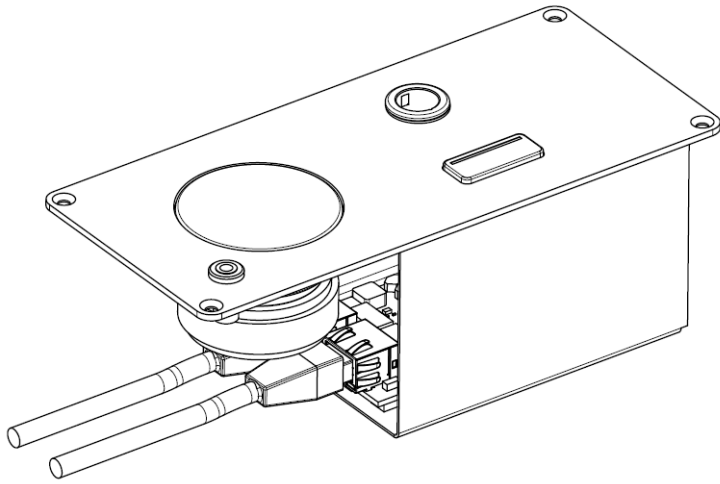
Maximum output	> 10 mW
Frequency response	22-22,000 Hz
Dynamic range	> 90 dB
THD @ nominal level	< 0.1%
Load impedance	16-32 Ω

### Microphone Input

Dynamic range	> 90 dB
Frequency response	20-20,000 Hz
THD @ nominal level	0.1%

## Technical Drawings





**HQ Belgium**

+32 51 30 30 45

conference@televic.com

<https://www.televic.com/en/conference>

**Asia**

+86 21 61 48 01 23

conference@televic.com

[www.televic-conference.com.cn](https://www.televic-conference.com.cn)

**France**

+33 3 74 09 52 76

conference-france@televic.com

[www.televic-conference.fr](https://www.televic-conference.fr)

**United States**

+1 916 920 0901

conference-us@televic.com

All information copyright Televic Conference, 2024.  
Televic reserves the right to change this document  
without notice.

Version 1.1

