

ATT-U

Universal Attenuator

Handbook contents:

- Safety
- Introduction
- Installation
- Connection
- Specification
- Warranty Information
- Declaration of Conformity

Box Contents:

- 1 x ATT-U
- 1 x Handbook (this document)
- Either:
 - 1 x 3.5mm jack cable
 - 1 x 6.3mm jack cable
- Or:
 - 1 x XLR cable

Safety:



This symbol is used to alert the user to important operating or maintenance instructions.



The Lightning bolt triangle is used to alert the user to the risk of electric shock.

1. It is important to read these instructions, and to follow them.
2. Keep this instruction manual in an accessible place.
3. No user serviceable parts. Refer all servicing to qualified personnel.
4. No objects filled with liquids, such as vases, shall be placed on the apparatus.



WARNING: Do not expose to dripping or splashing.

5. Clean only with a dry cloth.

Introduction

The Universal Attenuator is designed to interface a 100V line or low impedance (low Z) speaker system to various inputs such as those found on Ampetronic equipment. In addition to transformer isolation a range of attenuations are possible by connecting to the appropriate output terminals.

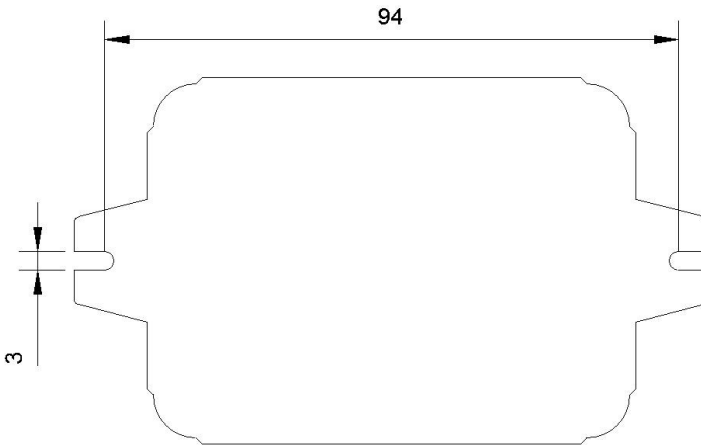
Two terminals are provided at each of the inputs to allow the input cable to 'loop through' the unit, so no separate junction box is needed.

Installation

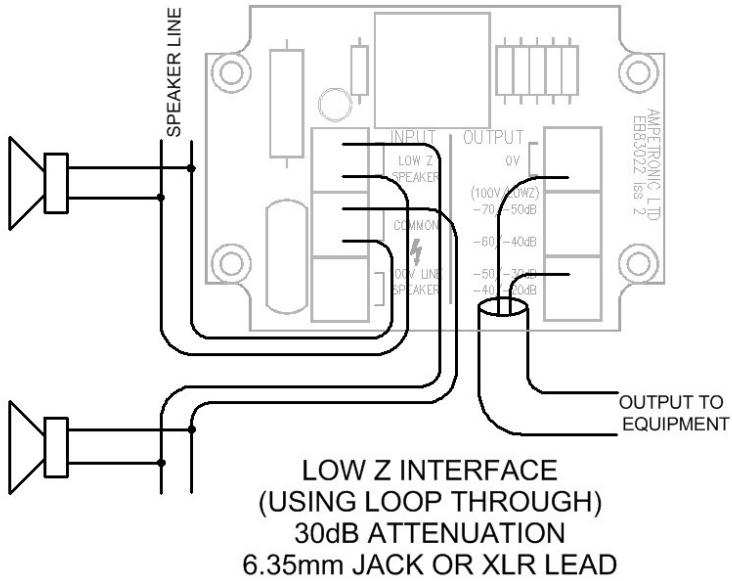
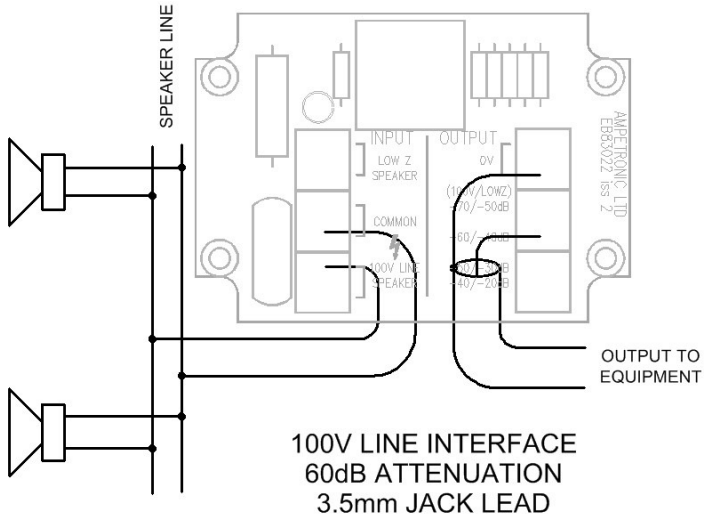
- Remove the four screws securing the lid.
- Select the desired output cable from those provided. If using the 3.5mm jack cable connect the braid to the 0V terminal and the other to the appropriate output terminal. If using the 3 pole 6.35mm jack or XLR cable connect the blue cable to 0V and red to the appropriate output terminal (see '**Connection**'). The braid is not connected in this case. If the attenuation value or input level is not known it is advisable to start with a high attenuation and reduce it later).



- Connect the 100V line or low impedance speaker cable to the appropriate input looping through the unit if required (see '**Connection**'). Connecting to a 100V line system may involve the risk of electric shock and therefore must be carried out by an instructed person.
- Secure input and output cables with the cable ties provided through the holes in the pcb.
- The unit can be securely mounted using the provided lugs provided. See below.
- Refit the lid making sure cables pass through the relevant openings.
- Test the system and adjust the attenuation as required.



Connection



Specification:

Input	100V line	Low Z speaker	Units
Frequency response	100 to >20,000 ($\pm 0.5\text{dB}$)		Hz
Max audio input	100	10	Vac
Max DC input	200	30	V
Output attenuation	-70, -60, -50 & -40	-50, -40, -30 & -20	dB
Connection method	Screw terminals		
Cable retention	Cable ties (supplied)		
Environmental	IP30, -10°C to 40°C, 20-90% relative humidity		
Dimensions	80*x 60 x 30(*114 including mounting lugs)		mm
Weight	80		g

NOTE: If not using supplied cables output lead must be less than 1m.

Warranty information

This product carries a five year parts and labour warranty from date of shipment from Ampetronic. To qualify for the five year warranty, the product must be registered at www.ampetronic.co (products/warranty), without which the warranty will be valid for two years only.

The warranty could be invalidated if the instructions in this handbook are not followed correctly, or if the unit is misused in any way.

The ATT-U is designed and engineered in England.

Declaration of Conformity

The manufacturer: Ampetronic Ltd. Unit 2, Trentside Business Village, Farnon Road, Newark, NG24 4XB.

Declares that the products: 'Universal Attenuator' Type Name ATT-U

Conforms to the following Directive(s) and Norm(s):

Directive 2004/108/EC	EMC: EN 55103-1:2009+A1:2012
Directive 2006/95/EC	Safety: EN 60065:2014
Directive 2011/65/EU	RoHS

January 2016 – J.R. Pieters - Managing Director, Ampetronic Ltd.

Ampetronic Ltd.

Tel: +44 (0) 1636 610062 Fax: +44 (0)1636 610063

www.ampetronic.co

Email: sales@ampetronic.co

UP13021-4