

# Angekis®

**CONTACT**

Tel: +86-755-2296 9385

Fax: +86-755-2296 9386

Head office:

Room 807, Huale Building  
2017 Shennan East Road, Luohu District  
Shenzhen 518000, Guangdong, China

Branch office:

3F, Building A, Shuanghuan Information Technology Industrial Park,  
No.8, Baoqing Rd, Longgang District, Shenzhen, 518116, China

Please send your inquiry to [sales@angekis.com](mailto:sales@angekis.com)

[www.angekis.com](http://www.angekis.com)

# Contents

---

**2.** Why Angekis?

**4.** Saber 4K

**6.** Saber AP

**8.** Saber IP 20x

**10.** Saber 12x USB 3.0/Saber SDI

**12.** Saber Light 5x

**14.** The Blade / The Curtana

**16.** The Toledo / Cleartalk Wireless Speakerphone

**18.** Comparison Chart

**20.** Accessories



# Why Angekis?



## Leaders in USB Video Conferencing

The founder of Angekis has extensive experience working in the USB Video device market for over 10 years, specialising in UVC USB cameras. In fact we helped pioneer the USB PTZ camera with one of the first USB video conference camera models released on the market way back in 2011. Since then our team have continued to pave the way advancing technology for camera chipset solutions in the realms of AF,AE,AWB &UVC control command and much more. With a huge amount of experience, we decided in 2015 to start our own brand.

## Class Leading Warranty

We are so confident in our product range, that we offer a class leading **3 year manufacturers warranty** on the entire range. We understand our products are a long term investment and they are built to last, so rest assured when you buy from us, we have your back!

## Award Winning Range

In our first year of launching at the ISE expo in Amsterdam we won best in show in the Video Conferencing category for the Saber 12x model, edging out world famous competitors. We then won again in 2018 with the Saber Auto-Pilot regarded as the best tracking camera in its class. We are still in the early days, so look out for more ground breaking products and awards to come!

## Easy Integration

Already using a system in your video conference environment which you love, such as Cisco, Skype, Zoom? No problem! The Angekis range of cameras connect as plug and play solutions and can integrate easily with most VC solutions. If you have a specific solution you need to check works, just ask us. Did you know we are an official Zoom technology partner? Ask us about our Zoom room solutions!

## Complete Solution

Our range is designed to set a global standard for performance, quality and value that span to applications of all types from Unified Communication, to IP streaming, Education solutions, live events and even on the go micro solutions for sales people.

Whether you are looking for a high end 4K flawless video confernece solution to a robotic PTZ camera or an on the go all in one audio/video huddle solution, Angekis has the most complete camera line for the AV market today.



# SABER 4K

## Saber-12UFHD36

Model	Saber-12UFHD36			
Sensor	1/2.5 inch, 12mega pixel high quality CMOS sensor			
Video Format	HDMI	IP	SDI	USB3.0
	3840x2160p30/25, 1080p60/50/30/25, 720p60/50/30/25, 1080i60/50	Main stream: 3840x2160p30, 1920x1080p60, Sub stream: 1280x720,704x576 640x480,352x288	1080p60/50/30/25; 720p60/50/30/25 1080i60/50	1080p60/50/30/25 720p60/50/30/25
				USB3.0&USB2.0  1024x576p30 960x540p30 640x360p30 352x288p30
Zoom	12x optical zoom & 2x digital zoom		Gamma	Supported
FOV	6.3°(near)~72.5°(far)		Mirror Image	Supported
F.no.	Wide: 1.84	Tele: 2.81	PanTilt Flip	Supported
Min. Focus Distance	Wide: 0.3m	Tele: 1m	Iris	Auto / Manual/
Preset	10 via remote controller; 128 via serial port; preset precision:0.1°		Electric Shutter	Auto / Manual/
Rotation Angle	Pan: -170° ~ +170°; Tilt: -35° ~ +90°		BLC	Auto / Manual/
Rotation Speed	Pan: 0°~120°/s ; Tilt: 0°~80°/s		Focus	Auto / Manual/
Control Port	RS232 / RS485/RJ45		Video Encoding	H.264/H.265
Video Port	HDMI/ RJ45/SDI/USB3.0/USB2.0		Bit Rate Control	Variable Bit Rate, Constant Bit Rate
Network Speed	1000M		Video Bit Rate	1024Kbps~30720Kbps
Noise Reduction	2D&3D		Frames	50HZ:1fps~50fps 60HZ:1fps~60fps (3840x2160 max. 30fps)
SNR	>50dB		IP Protocol	TCP/IP, HTTP, RTSP, RTMP, Onvif, DHCP
Focal Length	f=3.92(near)~47.32mm(far)		POE	Supported
Minimum Lux	0.01 lux		Input Voltage	DC12V, 2A
White Balance	Auto / Manual/Auto Tracking/ OnePush/Indoor/Outdoor/		Dimension	220mm×173mm×190mm
Anti Flicker	50Hz/60Hz/OFF		Net Weight	1.25KGS (2.8LBS)



The Saber 4K packs an ultra HD 4K image via IP and HDMI. The trend towards bigger and better resolution is coming as fast as ever. To future proof, many companies are seeking 4K technology as they know it will last and avoid continuous upgrades.

Saber 4K is a professional grade Ultra HD Video Camera that supports IP, HDMI, SDI and USB 3.0 outputs which is ideal for broadcasting, high end video conferencing and video surveillance application.

### Features:

- Outputs: IP, HDMI, RS232 in & out, SDI, USB 3.0 and LAN
- 12x Optical Zoom + 2x Digital Zoom, 72.5° field of view
- 3840 x 2160 p30 Ultra HD Video Resolution
- Automatic access to IP Address
- Smooth PTZ Mechanical Design
- Reverse Ceiling Mount Mode
- Accurate Pan Tilt Motor Control
- WDR, 3D Noise Reduction feature
- 128 Pre-sets
- Support RS232/485 Serial Control
- Sony Visca and Pelco P/D Protocol
- Supports Daisy Chain Feature
- Day/night switch for surveillance market

# SABER AUTOPILOT



The Saber Autopilot Auto Tracking Camera truly replaces the need for a cameraman and unlike other tracking cameras you are not limited to a specific width or depth of stage.

The Saber AP tracks via face, object and motion and requires a one-time setup only. Easily switch presenters, simply by having a new presenter stand in front of the original presenter for a couple of seconds.

The Autopilot Auto Tracking Camera has full pan tilt and zoom capabilities and will track a presenter across a 340° pan width and will zoom out if the presenter walks towards the camera. This tracking system is the perfect solution for lecture theatres, classrooms, court rooms, places of worship, concerts, live acts and more!

## **Perfect Track Software:**

Perfect Track is our award winning software that uses advanced image processing to recognize individuals in the Saber's video stream. Once a user is recognized, Perfect Track intelligently controls the camera to smoothly follow that user. The Perfect Track software comes pre-installed on the NUC computer and has a simple to use interface with one-time setup!

An Intel NUC mini PC provides the processing power for the Perfect Track software which comes pre-installed and ready to start using:

- Intel Core i3, 4GB RAM, SSD hard drive & Windows 10 Professional

## **Saber Camera:**

Sold separately or as part of a bundle the Saber 12x zoom PTZ camera connects to the Perfect Track Software and can also be used as a stand alone video conferencing camera. For tech specs of the Saber 12x camera read on.

# SABER IP 20x IP-20FHD60

Sensor	1/2.8 inch, 5mega pixel high quality CMOS sensor			
Video Format	HDMI	IP	SDI	USB3.0
	1080p60/50/30/25, 720p60/50/30/25, 1080i60/50	Main stream: 1920x1080p60, Sub stream: 1280x720,704x576 640x480,352x288	1080p60/50/30/2 5; 720p60/50/30/25 1080i60/50	1080p60/50/30/25 720p60/50/30/25 USB3.0&USB2.0 1024x576p30, 960x540p30 640x360p30, 352x288p30
	Zoom	20x optical zoom & 2x digital zoom	Gamma	Supported
	FOV	60°(diagonal)	Mirror Image	Supported
F.no.	Wide: F1.5(Wide)~3.0 (Tele)	PanTilt Flip	Supported	
Focal Length	f= 5.2(near) ~98mm(far)	Iris	Auto / Manual/	
Preset	10 via remote controller; 128 via serial port; preset precision:0.1°	Electric Shutter	Auto / Manual/	
Rotation Angle	Pan: -170° ~ +170°; Tilt: -35° ~ +90°	BLC	Auto / Manual/	
Rotation Speed	Pan: 0°~120°/s ; Tilt: 0°~80°/s	Focus	Auto / Manual/	
Control Port	RS232 / RS485/RJ45	Video Encoding	H.264/H.265	
Video Port	HDMI/ RJ45/SDI/USB3.0/USB2.0	Bit Rate Control	Variable Bit Rate, Constant Bit Rate	
Network Speed	1000M	Video Bit Rate	1024Kbps~30720Kbps	
Noise Reduction	2D&3D	Frames	50HZ:1fps~50fps 60HZ:1fps~60fps	
SNR	>50dB	IP Protocol	TCP/IP, HTTP, RTSP, Onvif, DHCP	
Minimum Lux	0.01 lux	POE	Supported	
White Balance	Auto / Manual/Auto Tracking/ OnePush/Indoor/Outdoor/	Input Voltage	DC12V, 2A	
Anti Flicker	50Hz/60Hz/OFF	Dimension	220mm×173mm×190mm	
D/N Mode	Supported	Net Weight	1.25KGS ( 2.8LBS )	

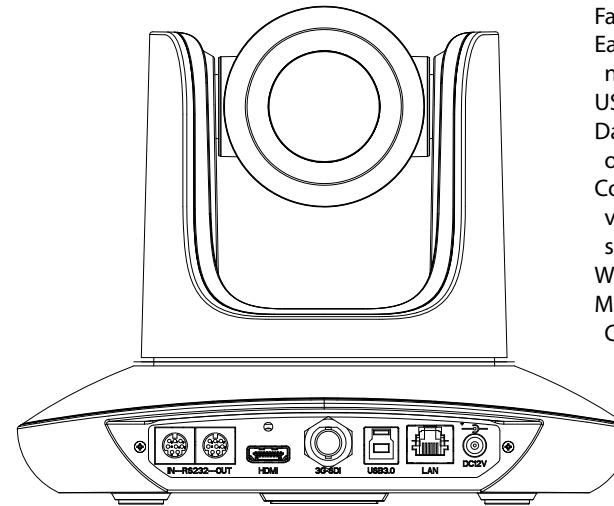


## The live streaming camera with a variety of functions.

The Angekis IP 20x full HD camera offers smooth pan/tilt/zoom and powerful 20x zoom. The open interface makes it easy to integrate with other systems and share information with a broader audience such as in auditoriums, classrooms, as well as peer-to-peer communication in video conferencing.

### Advantages:

- Ultra crystal video: with advanced 1/2.86 inch 8MP sensor and high quality 20x lens
- Fast switching between different video formats: only 3 seconds needed
- Fast and accurate focus
- Easy firmware upgrade-(field-upgradable):no need to open the camera housing
- USB2.0 compatible
- Daisy Chain function: with both Visca in and Visca out port
- Compatible with the majority of videoconferencing software (UVC1.5 protocol standard)
- With powerful functional remote controller
- Multi language OSD menu: support English, Chinese, Russian, Spanish



### Features:

- USB3.0 & DVI-I(HDMI) simultaneous output
- Zoom: 20X Optical Zoom + 12XDigital Zoom
- 1920x1080p 60fps high resolution
- 57.4 Degree field of view:
- Ultra smooth PTZ mechanism
- Accurate PT motor control
- Up to 128 presets
- Effective RS232/485 serial control
- WDR, 3D-noise reduction function
- Image flip function support upside-down installation
- Mounts: Wall mount & in-ceiling mount available
- Sony Visca and Pelco P/D protocol controls



# SABER 12X U3D-12FHD6 12x SDI SDI-12FHD6



Onscreen controls allow settings to be adjusted via keyboard & mouse (or remotely)



SDI model, switches USB for SDI

All models are reverse mountable

## Technical Specifications

- Video Format: USB3 and DVI-1080p59.94/50/29.97/25; 720p59.94/50/29.97/25; DVI-1080i 59.94/50. SDI model includes SDI instead of USB 3.0.
- Video Output: USB3.0 or SDI & DVI-I
- Sensor: 1/2.3 inch 4K UHD CMOS sensor
- Lens: f3.9~46.1 mm (12x Zoom), F1.8 - 2.8
- Angle of View: 72.5°
- Rotation Angle: Pan rotation: ±170°; Tilt rotation: -30°~+90°, support up-side down installation
- Pan speed: 0.1°-150°/s; Tilt speed: 0.1°- 80°/s
- Pre-set: 10 via IR remote setting, (255 via COM setting, pre-set accuracy: 0.2°)
- Support Auto/Manual White Balance, Auto/Manual Exposure (Iris, Shutter)
- Control signal port: USB UVC FECC and 8 pin mini DIN-RS232-VISCA/Pelco-D/Pelco-P protocol
- Max consumption: 24W
- Working temperature: -5 - 45°C, Storage temperature: -20 - 60°C
- Net weight: 1.5KG
- Dimension: 220x190x173 mm



**Winner of Best USB PTZ Camera at the ISE Expo in the Netherlands..**

**The first direct connect USB 3.0 HD PTZ video conference camera with a desktop app control. The Saber breaks new ground by leaving behind overly complicated and expensive traditional PTZ video conference solutions.**

1. Sleek and intelligent design
2. Crystal clear HD image quality.
3. Low light ability. Excellent image quality even at low lux of 0.01 lux.
4. DVI-I (HDMI) & USB3.0 simultaneous output.
5. Far end camera control via USB3.0 UVC ability based on Codecs FECC (For example zoom.us)
6. Desktop app control software included to control the camera and video settings..
7. Visca control
8. Utilizing belt drive technology the twin motors of the PTZ are ultra quiet, smooth and provide fast movement.
9. Larger FOV at 72.5 degree with no video distortion
10. 2D and 3D NR offers the best video quality to adjust to different room lighting.
11. Fully operational remote control with power off function, setting the camera back to the start position.
12. reverse mountable, tripod screw thread at the bottom

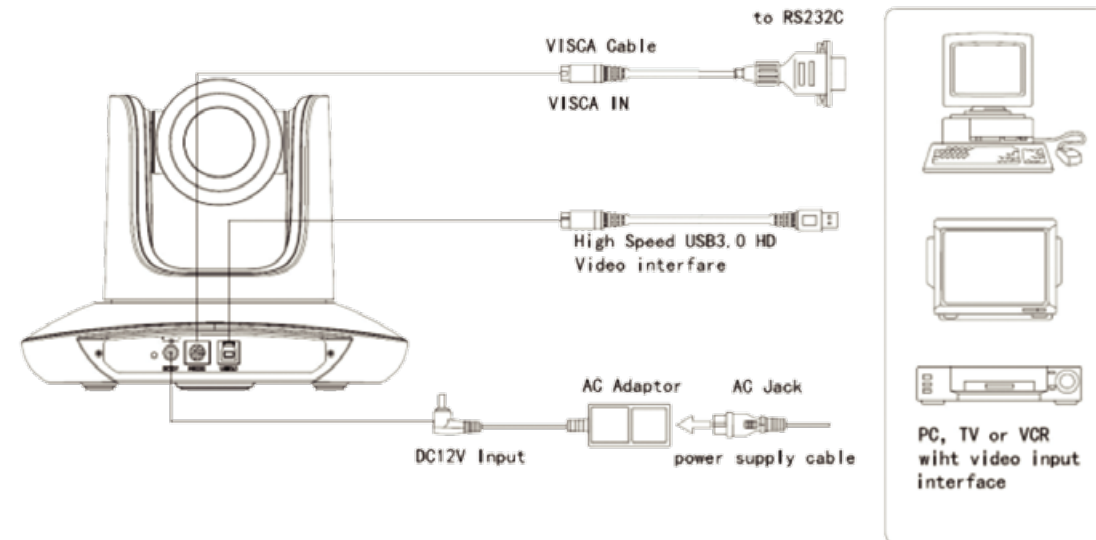
# SABER LIGHT 5x U3-5FHD6



**It gives you everything you love about the Saber but at a lean mean price!  
Can be powered solely through the USB 3.0 port.**

## PRODUCT HIGHLIGHTS

- The same amazing award winning image quality of the Saber 12x.
- 3 cables in 1 design: video, control & power can be transited via a single USB3.0 cable. (notice: to achieve stable power supply via USB3.0 cable, we suggest only use the 3m USB3.0 cable supplied by the factory)
- Adopts advanced DSP, 1/2.8 inch 5MP image sensor, and high quality 5X 90 degree FOV optical lens, provides fluent and crystal image quality
- Fast switching between different video formats: less than 1 second
- 90 FOV
- 5X Optical Zoom + 2X Digital Zoom
- Fast and accurate focus performance
- Easy firmware upgrade





# BLADE 10x U2-10FHD3 CURTANA WIDE-ANGLE U2-FFHD3



**The Curtana** USB2.0 HD PTZ Camera is the perfect wide angle HD video conference solution at a very affordable price.

Like all the Angekis cameras the Curtana delivers a jam packed range of features including a 105 degree Field of view that ensure you can fit multiple people in the shot. This makes the Curtana perfect for small conference and huddle rooms.

Don't let the price fool you, the Curtana produces an exceptional image quality at full HD 1080p running at 30 frames per second.

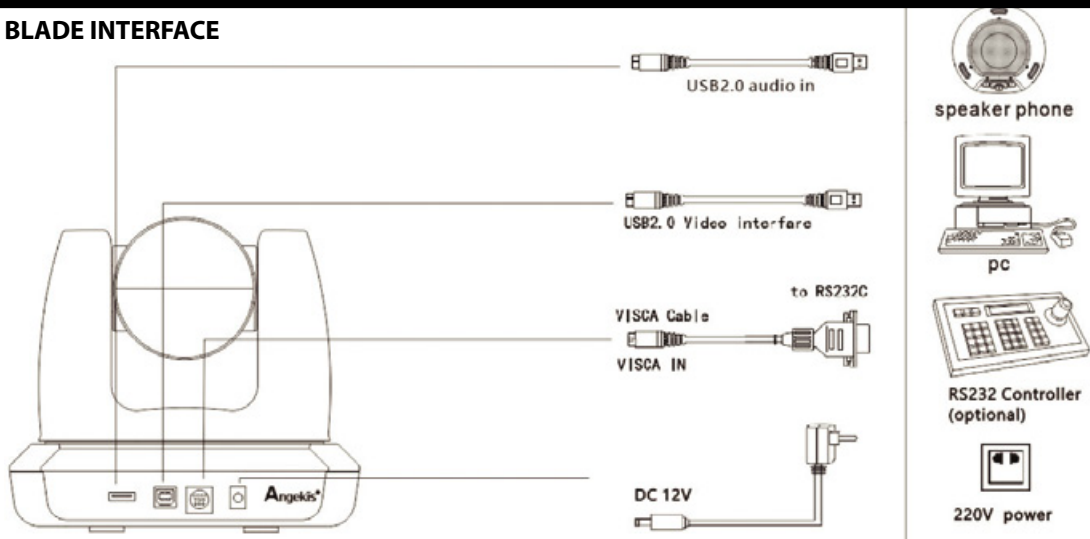


**The Blade** USB2.0 HD PTZ Camera is the perfect high quality direct input USB 2.0 solution producing full HD video at 30fps. You'll double take at the image quality of the Blade rivalling models selling at triple the price! The Blade is the perfect solution for small to medium sized conference rooms, huddle rooms, lecture theatres and more.

- 10 x Optical Zoom
- 10 x Presets (over 200 via RS232)
- FECC via RS232
- Full HD at 30fps

	Blade	Curtana
Optical Zoom	10 x Optical	No Zoom
Video Output	USB 2.0	USB 2.0
Pan/Tilt Rotation	Pan 350° Tilt 130°	Pan 350° Tilt 130°
View Angle	62.5°	105°
Native Resolution	1080P 30fps	1080P 30fps
Video Format	MUPEG compressed	MUPEG compressed
Focus	Auto & Manual f:4.7-47mm, F1.6-3.0	Fixed f:3.5mm, F2.4
Control	IR Remote, Visca	IR Remote, Visca
Protocol	UVC/VISCA/PELCCP	VISCA/PELCCP
Presets	10 via Remote 128 via Visca	7 via Remote 128 via Visca
Sensor	1/2.8" Sony CMOS	1/2.7" CMOS
3D Image Noise Reduction	Auto 3D	Auto 2D
Electronic Shutter	Yes	No
Back Light Compensation	Yes	Yes
Exposure Compensation	Yes	Yes
Daisy Chain via RS232	No	No
Far End Camera Control	Yes	No
Desktop App Control	No	No
Sharpness & 3D Noise Refine via Remote	No	No
OSD Menu	Yes	Yes
White Balance	Auto & Manual White Balance	Auto & Manual White Balance
Gain Control	Auto Gain Control	Manual Gain Control
S/N Ratio	55 db	50 db
Iris	Auto Iris	No Iris
Signal Support	1080P@30,720P@30	1080P@30,720P@30
Communication	RS232/UVC	RS232/UVC
Image Flip	Auto Vertical/Horizontal Image Auto Flip	Auto Vertical/Horizontal Image Auto Flip

## BLADE INTERFACE





Reduce team collaboration costs with the **Angekis Toledo AT-01**, a compact, portable, all in one solution to video conferencing.

It's the perfect VC workmate for small businesses, huddle rooms and the business person on the go. Equipped with a 1080P HD camera with a 120 degree FOV, the Angekis Toledo AT-01 provides users with high quality video streaming, high definition real-time synchronized screen, and an excellent audio pick up of up to 3 meters radius or 6 metres diameter. The microphone is omnidirectional with strong anti-interference abilities via echo suppression and noise reduction technology achieving a natural voice quality. The wide angle 120 degree video image provides crystal clear and smooth full HD streaming at 30fps.



The **Angekis Clear talk ASP-04** is the perfect portable and wireless USB microphone for video conferencing complete with a charging dock for wireless charging. With a full-duplex Omni directional microphone the Clear talk ASP-04 utilizes a direct 2.4GHz wireless USB receiver meaning **no more work pairing Bluetooth devices** with a low quality audio connection!

It's so easy to use, simply turn on the speakerphone and plug in the wireless USB receiver. No pairing! It streams crystal clear audio, connecting to a wireless USB dongle with a 30' range over 2.4 GHz (Up to 10 times more bandwidth than Bluetooth!)

- 360° sound via 3 digital microphones with 3m pickup & echo cancellation
- Wireless charging by simply placing it on the charging dock between uses.
- Plug and play, no drivers required.
- Connectivity: 2.4 GHz wireless Dongle

# COMPARISON CHART

	Saber 4K	Saber AP	Saber IP 20x	Saber 12x	Saber Light 5x	Blade	Curtana	Toledo
Picture								
Target Market	High End Video Conference Environments	Education, House of Worship, Events	Medium to Large Conference rooms	Medium to Large Conference rooms	Small to Medium Conference rooms	Small to Medium Conference rooms	Small Conference Rooms	Small Conference Rooms, VC Travel System with built in speaker phone
Optical Zoom & DSP	12X optical+2X digital	12X optical+2X digital	20X Optical +2x Digital	12X optical+2X digital	5x Optical +2x digital	10X Optical	Fixed lens,no zoom	Fixed lens,no zoom
Video Output	IP,HDMI,SDI and USB3.0 and simultaneous output (1080p 60)	Both DVI-I(HDMI)& USB3.0	IP,HDMI,SDI and USB3.0 and simultaneous output (1080p 60)	Both DVI-I(HDMI)& USB3.0. SDI Model Available.	USB3.0	High speed USB2.0	High speed USB2.0	High speed USB2.0
Pan Rotation Degree	340°	340°	340°	340°	340°	350°	350°	Maual 30° tilt
View Angle	72.5°HFOV NO distortion	72.5°HFOV NO distortion	72.5°HFOV NO distortion	72.5°HFOV NO distortion	90°HFOV NO distortion	62.5° NO distortion	105° HFOV NO distortion	120° HFOV light distortion
Maximum resolution	4K 30fps (HDMI&IP), 1080P 60fps USB3 & 3G SDI	1080P 60fps	1080P 60fps	1080P 60fps	1080P 60fps	1080p30	1080p30	1080p30
Video Format	H.264,H.265 over IP,YUY2	YUY2 uncompressed	YUY2 uncompressed	YUY2 uncompressed	YUY2 uncompressed	High quality compressed	Compressed video	Compressed video
Control	IR remote,Visca and desktop app control. RJ45 support Control,video stream and Power Over Ethernet.	IR remote,Visca and desktop app control	IR remote,Visca and desktop app control	IR remote,Visca and desktop app control	IR remote,Visca	IR remote,Visca	IR remote control,RS232 control	touch button for mic mute & speaker" +--"
OSD Menu	English,Chinese,Spanish,Russian	English,Chinese,Spanish,Russian	English,Chinese,Spanish,Russian	English,Chinese,Spanish,Russian	English,Chinese,Spanish,Russian	no	No	No
Preset	10 on remote,128 from Visca	10 on remote,128 from Visca	10 on remote,128 from Visca	10 on remote,128 from Visca	10 on remote,128 from Visca	10 on remote,128 from Visca	7 remote,256 from visca	None
3D Noise Reduction	Auto 3D noise reduction	Auto 3D noise reduction	Auto 3D noise reduction	Auto 3D noise reduction	Auto 3D noise reduction	Auto 3D noise reduction	Auto 2D noise reduction	Auto 2D noise reduction
Electronic Shutter	Yes	Yes	Yes	Yes	Yes	Yes	No	No
BLC	Yes	Yes	Yes	Yes	Yes	Yes	Yes	Yes
Exposure Compensation	Yes	Yes	Yes	Yes	Yes	Yes	Yes	Yes
IR Transfer/IR Pass	Yes	Yes	Yes	Yes	Yes	No	No	No
Daisy Chain via RS232	Yes (Up to 7 Cameras)	Yes (Up to 7 Cameras)	Yes (Up to 7 Cameras)	Yes (Up to 7 Cameras)	No	No	No	No
Far end camera control	Yes	Yes	Yes	Yes	Yes	Yes	No	No
Desktop Control APP	Yes	Yes	Yes	Yes	Yes	No	No	No
Video "mute"	Yes	Yes	Yes	Yes	Yes	No	No	No
Sharpness refine via remote	Yes	Yes	Yes	Yes	Yes	No	No	No
Camera select	Yes	Yes	Yes	Yes	Yes	No	No	No
Speed up motor design	0-full power in 1.3 secs	0-full power in 1.3 secs	0-full power in 1.3 secs	0-full power in 1.3 secs	0-full power in 1.3 secs	0-full power in 1.3 secs	0-full power in 1.3 secs	None
Reverse Ceiling Mount	Yes	Yes	Yes	Yes	Yes	Yes	Yes	No
Day/Night switch for Surveillance	Yes	No	No	No	yes	No	No	No
Suited for Boardroom Size	10 - 30 people	Lecture Theatre	10 - 30 people	10 - 30 people	5-15 people	5-15 people	3-5 people	1-3 people
Warranty	3 years	3 years	3 years	3 years	3 years	3 years	3 years	3 years

# ACCESSORIES

## Tried and tested.

All accessories have been tried and tested across the Angekis range of cameras so you can rest assured of its compatability.



### Joystick Controller

Control up to 255 Cameras via serial RS-232 cabling.  
4 Camera Switching Hot-Keys for quick keyboard switching functionality  
Supports multiple protocols (VISCA, PELCO-D or PELCO-P)



### Metal Ceiling Mount

Male bracket connects to the PTZ Camera  
Female brackets attaches to the Ceiling.  
Quick and easy installation.



### USB 2 and 3.0 Extenders

Check our pricelist for our range  
of Cat5E/6 extenders



### USB 2 and 3.0 Extension Cables

We have a range to suit your needs,  
and room size.



### Wall Mounting Bracket

Our sturdy mounting brackets are  
built to last, easy to install and  
visually discreet.



### Monitor Mounting Bracket

Connects easily to the top and  
back of your monitor, allowing  
the PTZ to sit firmly and securely  
above your monitor.



### NUC computers

To complete your installation we  
offer a range of NUC computers  
to suit varying VC environments

## and more

Is there an accessory you need but havent seen in this catalogue? Ask us. We are continually updating our accessory range to bring you an all in one seamless solution.