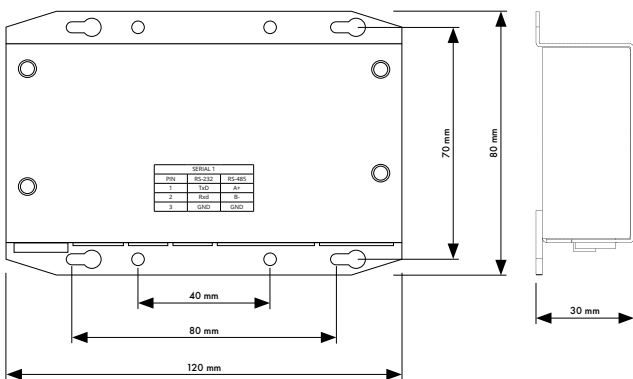
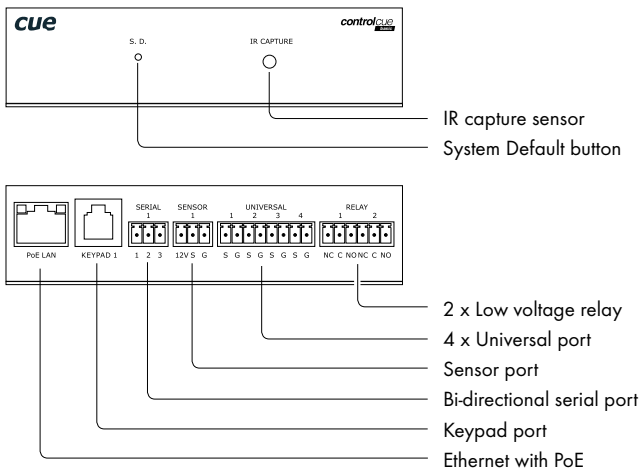


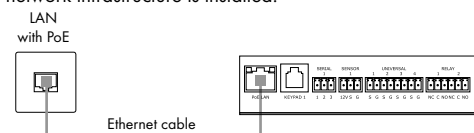
Description



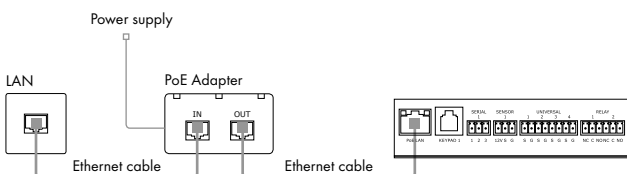
Power Supply and LAN Connection

PoE Power Supply

The integrated IEEE 802.3af PoE support allows installation in areas where PoE network infrastructure is installed.



If the LAN does not support PoE (IEEE 802.3af or IEEE 802.3at), use PoE adapter (not delivered)



System Default Setup

When System Default button is pressed longer than 5 sec., the system default function is performed and setup is as follows

- IP address: from DHCP (192.168.1.127 without DHCP)
- IP Mask: from DHCP (255.255.255.0 without DHCP)
- Password: Empty (no input required)

User Manual

Complete user manual can be downloaded here:

http://www.cuesystem.com/user_manuals.aspx

Connector Pinouts

SENSOR 1

Pin	Description
12V	Power +12 VDC output
S	Signal (digital input)
G	Ground

SERIAL 1

Pin	RS-232	RS-485
1	TxD	A+
2	RxD	B-
3	Ground	Ground

UNIVERSAL 1 - 4

Pin	Description
1 S	Universal 1 - signal
1 G	Ground
2 S	Universal 2 - signal
2 G	Ground
3 S	Universal 3 - signal
3 G	Ground
4 S	Universal 4 - signal
4 G	Ground

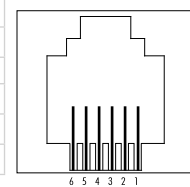
RELAY 1 - 2

Pin	Description	
1	NC	Relay 1 - contact normal close
	C	Relay 1 - common contact
	NO	Relay 1 - contact normal open
2	NC	Relay 2 - contact normal close
	C	Relay 2 - common contact
	NO	Relay 2 - contact normal open

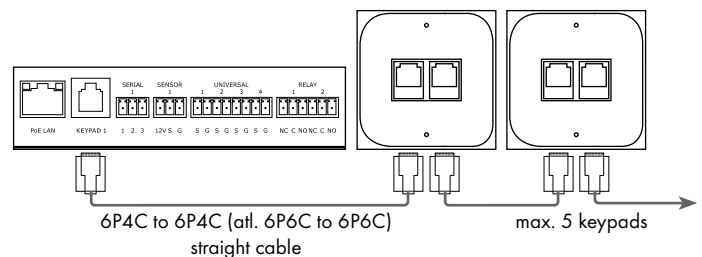
KEYPAD 1 (6P6C connector)

Pin	Description
1	+12 V DC
2	+12 V DC
3	A+
4	B-
5	Ground
6	Ground

rear-side view



keypadCUE-55 Connection



Universal Ports Usage

Input modes

Digital input	Input protected to +30VDC / -12 VDC Threshold 2.0 V: • binary 0 < 0.8 V • binary 1 > 2.2 V Input impedance > 100 kΩ
---------------	---

Output modes

Digital output	Open collector Max. sink current 200 mA / max. 30 VDC Catch diodes for use with inductive load
Current pull-up	Current-source pull-up 9 mA (max. 10 V)
Current pull-down	Current-source pull-down -9 mA (max. -10 V)
IR output	Maximum IR carrier frequency 500 kHz Up to 3 original IR Adapter /i in parallel
Serial output	RS-232 Serial data baud rate 300 Bd ÷ 115 200 Bd (bps)