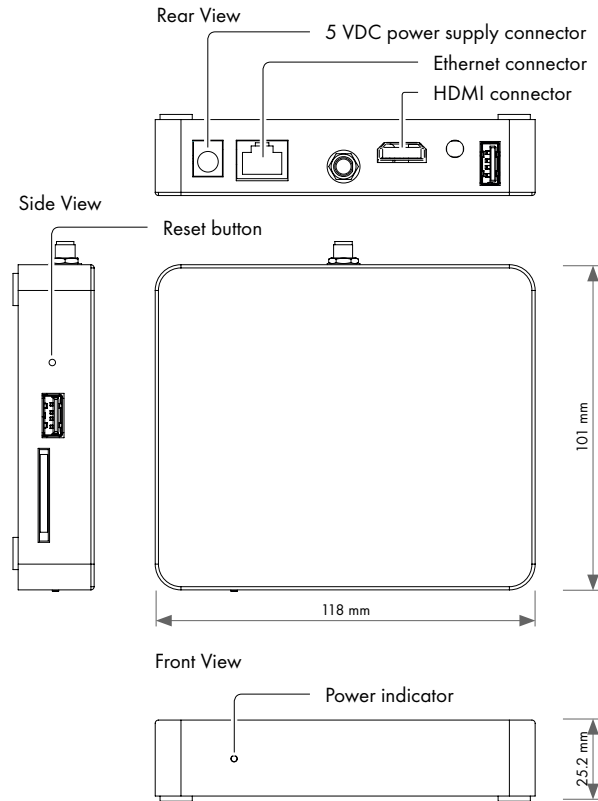


touchONE-overview

CS0510

cue

Description

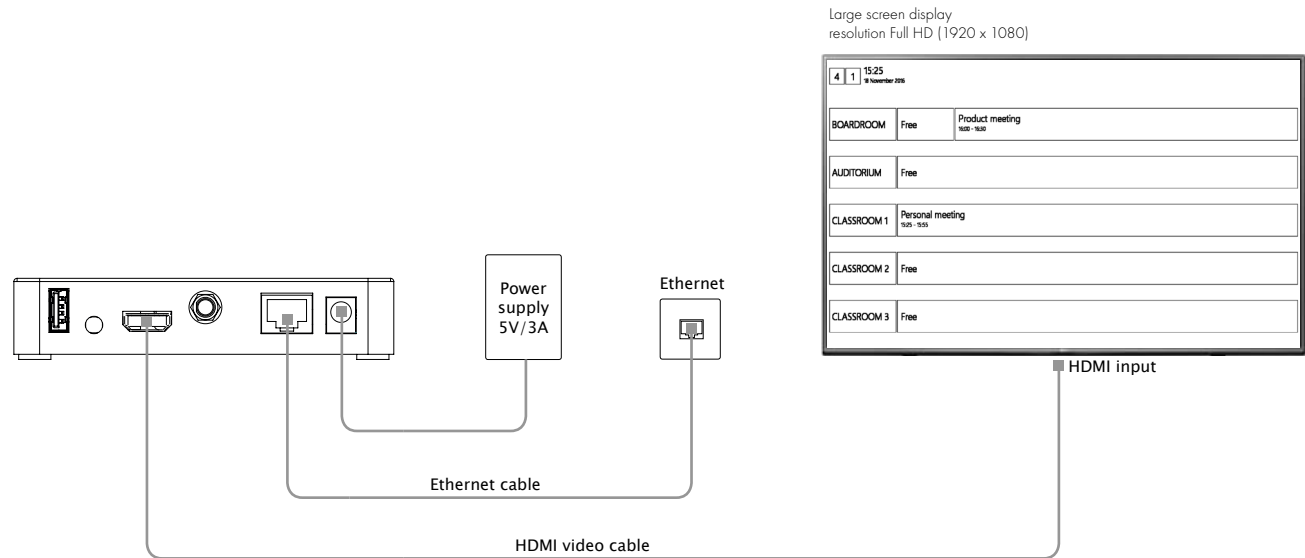


Note: connectors not described here are not used in touchONE-overview unit.

Box Contents

touchONE-overview unit
Power supply 5V/3A incl. power cable
Ethernet cable
Self-adhesive velcro tapes
Data Sheet
Declaration of Conformity
Warranty Conditions

Connection



Factory Default Setup

When the Reset button is pressed longer than 5 sec., the factory default function is performed and setup is as follows:

- IP address: from DHCP
- IP Mask: from DHCP
- Password: Empty (no input required)
- All settings and logs are deleted

Installation

You can use delivered self-adhesive velcro tapes to attach the touchONE-overview to the selected place. Apply these tapes to the bottom side of the unit. Avoid using the unit near water, in direct sunlight, or near a heating device. Free space 1 cm or more must be left around the unit to enable free air flow to cool the unit.