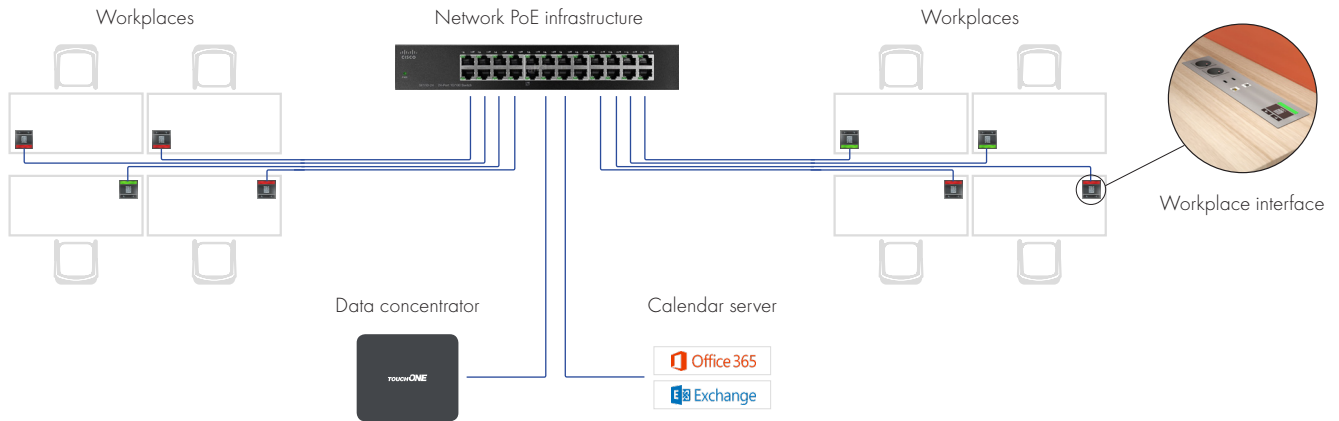


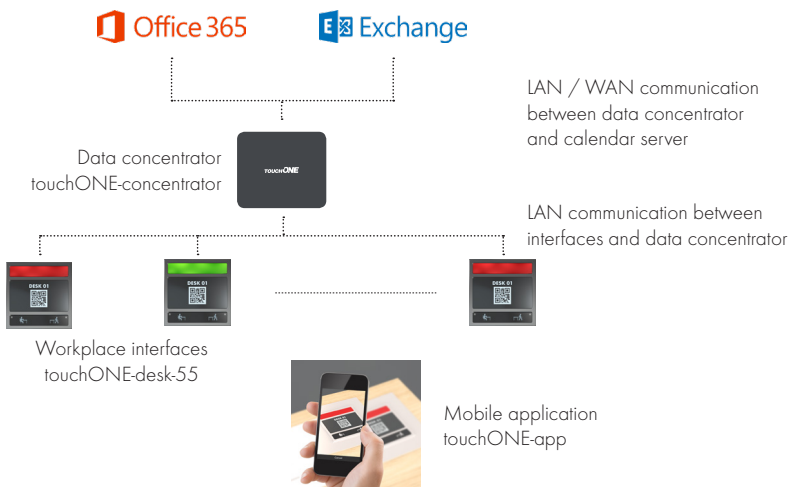
The touchONE reservation system offers a solution for achieving more efficient workplace usage and reducing overhead workplace costs. A simple workplace interface connected to network infrastructure with PoE offers workplace status indication (green for free, red for reserved), a place for the table identification (name and QR code) and two buttons - one for reservation, second for leaving the workplace. The workplace interface can either be installed as a standalone device or it can be integrated into interconnection boxes. In the latter case very compact and

complex workplace solution can be obtained. Workplace reservation is fully compatible with Office 365 and Exchange calendar servers. Every workplace has its own calendar and it is represented by a QR code. Reservation is made by Outlook, by mobile application using QR code or directly using buttons on the workplace interface. One interface is used for every workplace and one data concentrator is required for every 100 workplace interfaces. The touchONE workplace reservation generates reservation statistics for more efficient workplace usage.

## OFFICE INSTALLATION EXAMPLE



## HOW IT WORKS



All units are connected to Ethernet. Workplace interfaces communicate with the data concentrator used for system setup as well as for communication with calendar servers. All workplace interfaces are connected using one Ethernet cable delivering data and power supply.

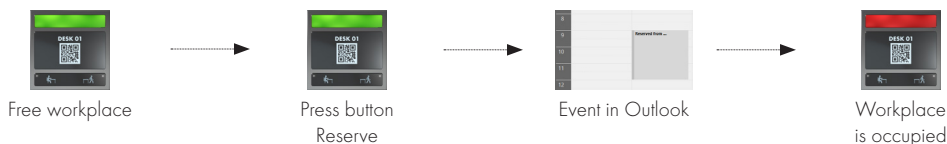
The touchONE-concentrator must be connected to the same local area network as all touchONE-desk-55 workplace interfaces.

The touchONE-app makes it possible to reserve a workplace from iOS or Android mobile devices. The workplace is identified by a QR code and the user is identified by credentials stored in a mobile device. After the reservation procedure, workplace is reserved in the appropriate calendar and the interface changes its status to occupied.

### Reservation from Outlook, cancelling reservation from interface



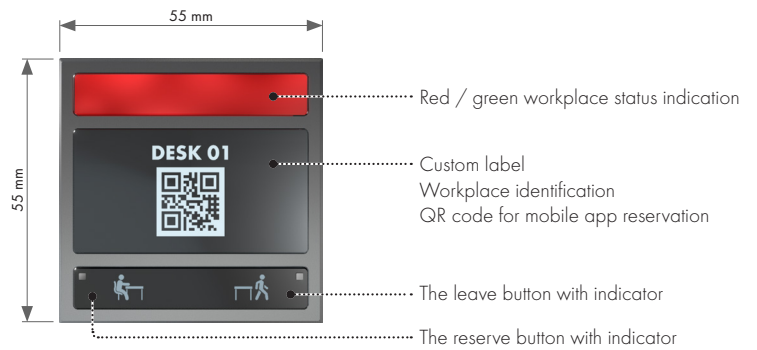
### Reservation from interface (anonymous reservation)



## WORKPLACE INTERFACE

### touchONE-desk-55 basic specifications

- Workplace status indication - green for free, red for reserved
- Ethernet with PoE
- 2x button with indicators - one for reserve, one for leave
- Customized label for workplace identification and QR code
- Dimensions 55 x 55 mm
- Compatible with electrical wall boxes and 55 x 55 mm frame adapters
- Desk holder for standalone installation
- Input for occupancy sensor



## INSTALLATION EXAMPLES



Tabletop installation using  
Tabletop Holder 55



Under-desk installation using  
Under Desk Holder 55



Workplace interface installed into various interconnection boxes offers complex solution for workplace environments.

## WHAT IS NEEDED

Product name	Product code	Function	Quantity	Note
touchONE-desk-55	CS0556	Workplace interface indicates workplace reservation status and to reserve and leave workplace.	1 pc per workplace	Required
touchONE-concentrator	CS0571	Data concentrator	1 pc per 100 workplaces	Required
Calendar	-	Office 365 or Exchange calendar resource account	1 account per workplace	Required
Microsoft Office 365 application	-	Registered application for Office 365 access using Microsoft Graph.	1 application per tenant	Required for Office 365
Microsoft Exchange user account	-	User email account with read-and-write access to the resource account calendars.	1 account per data concentrator	Required for Exchange
Tabletop Holder 55	CS0586	Allows to install keypad on the top of the table. It attaches on the top side of the table desk.	1 pc per workplace	Optional
Under Desk Holder 55	CS0587	This holder allows to install keypad under the table. It attaches to the under side of the table desk.	1 pc per workplace	Optional
Interconnection box		For more complex installation, touchONE-55 is fully compatible with PANCONNECT interconnection boxes. For more details see touchONE integration with PANCONNECT Design Guide.	Typically 1 pc per workplace	Optional
touchONE-app	CS0554	Room or workplace personalized reservation from a mobile device. Rooms and workplaces are identified by a QR code. Available for iOS as well as Android.	1 per user	Optional



touchONE-app for iOS



touchONE-app for Android