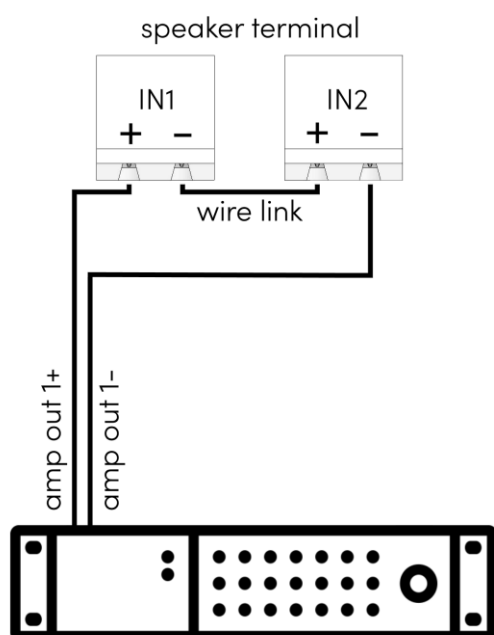


User Manual for Wiring a LS-4 or IGS-4

There are two possibilities to connect your amplifier to a LS-4 or IGS-4 terminal: Two channel wiring is only recommended for Fohhn amplifiers with output power less than 200 W @ 4 ohm. For all other Fohhn amplifiers one channel wiring has to be used.

One channel wiring

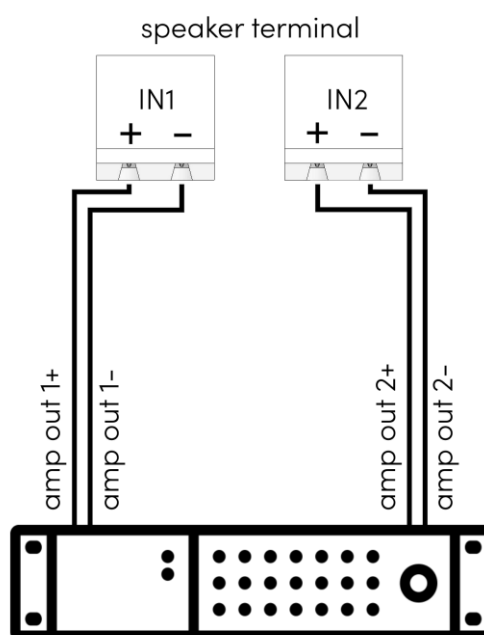
(output power greater than 200 W @ 4 ohm)



1. Wire pin + of an amplifier output to IN1+
2. Wire pin - of the same amplifier output to IN1-.
3. Insert a wire link from IN1- to IN2+.
4. Load a dedicated speaker preset to the output channel using Fohhn Audio Soft.

Two channel wiring for MA-4.100

(output power less than 200 W @ 4 ohm)



1. Wire one amplifier output to IN1.
2. Wire a second amplifier output to IN2.
3. Load a dedicated speaker presets to both output channels using Fohhn Audio Soft.

Caution:

- Make sure all wiring is carried out by a qualified person to prevent the amplifier and loudspeaker from damage.
- To obtain the best performance of the loudspeaker and prevent it from damage, the correct speaker preset must be loaded.